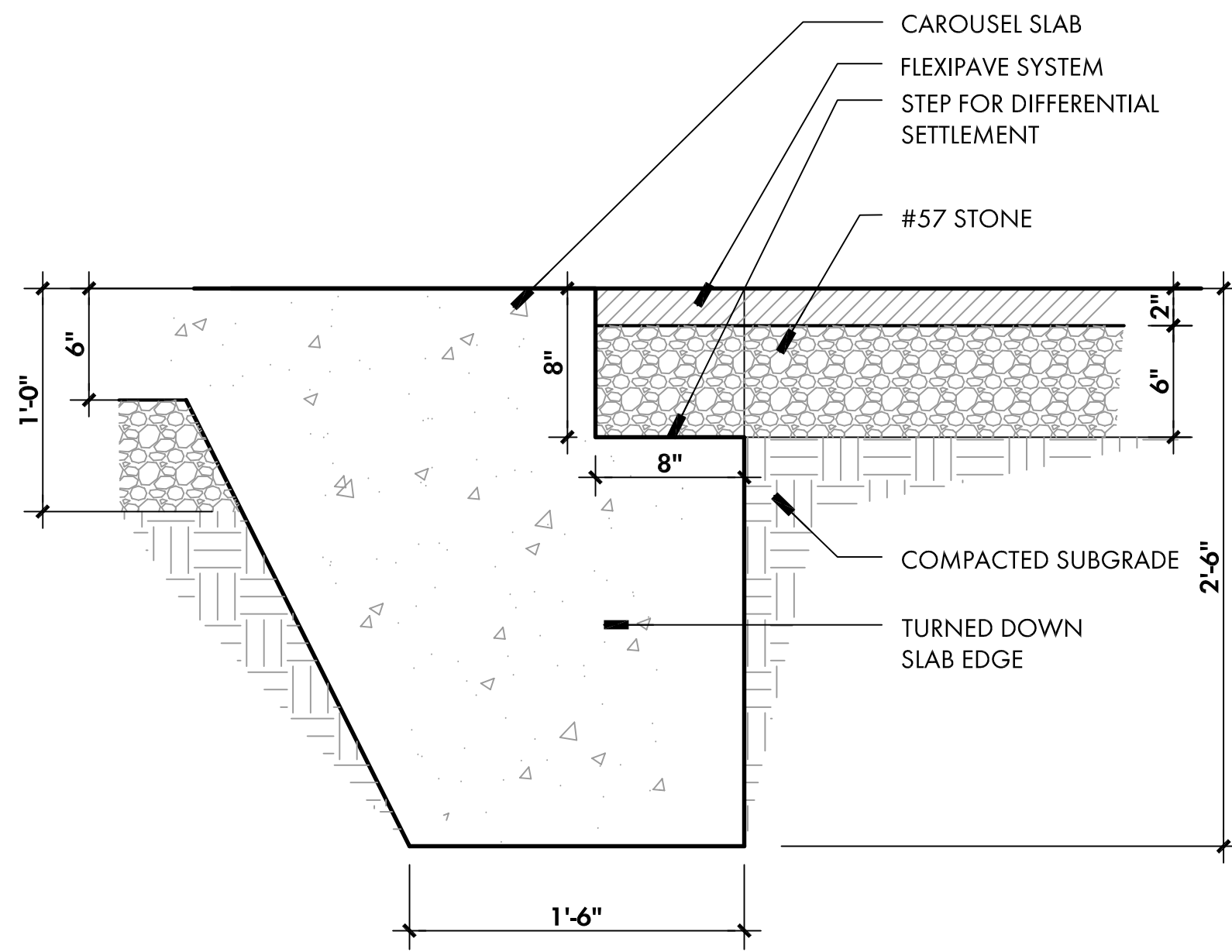
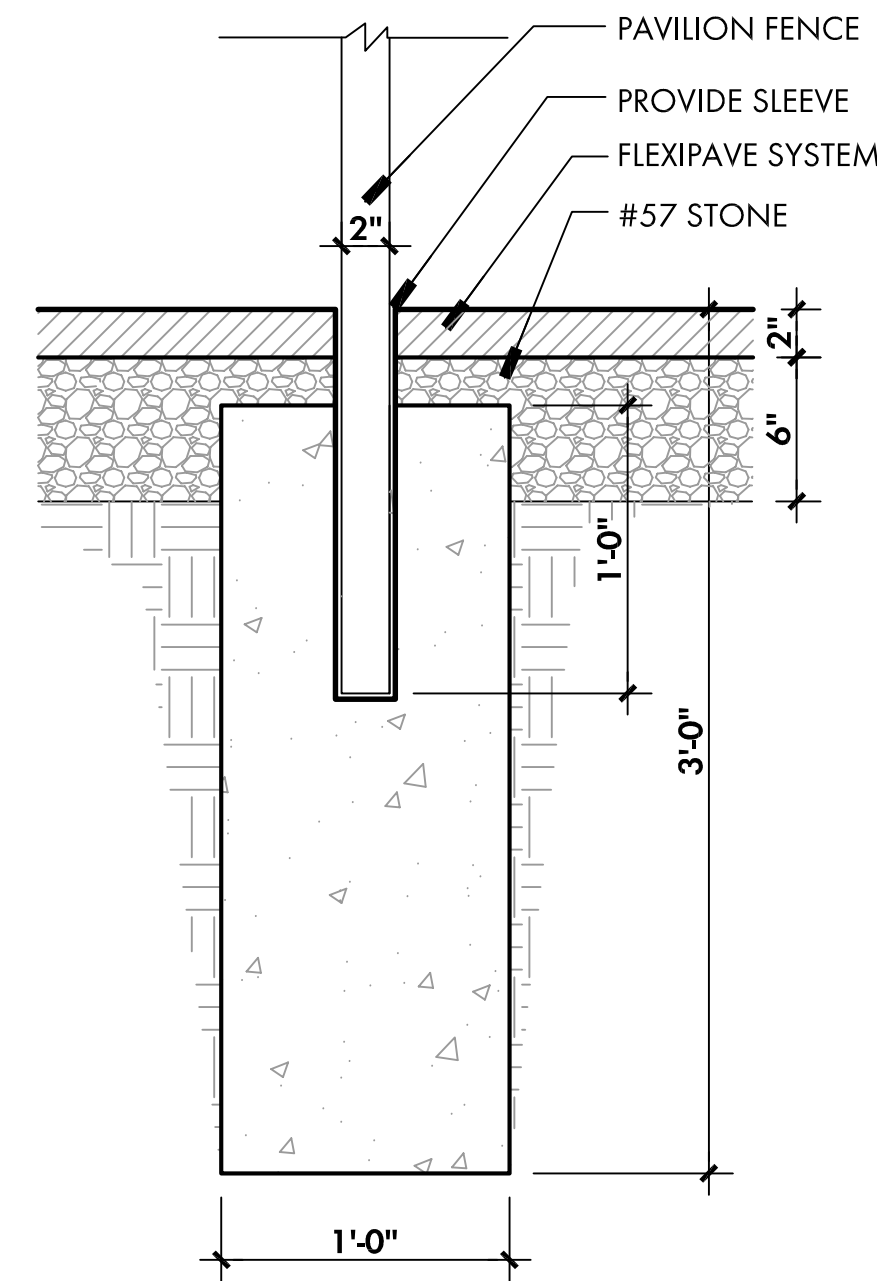


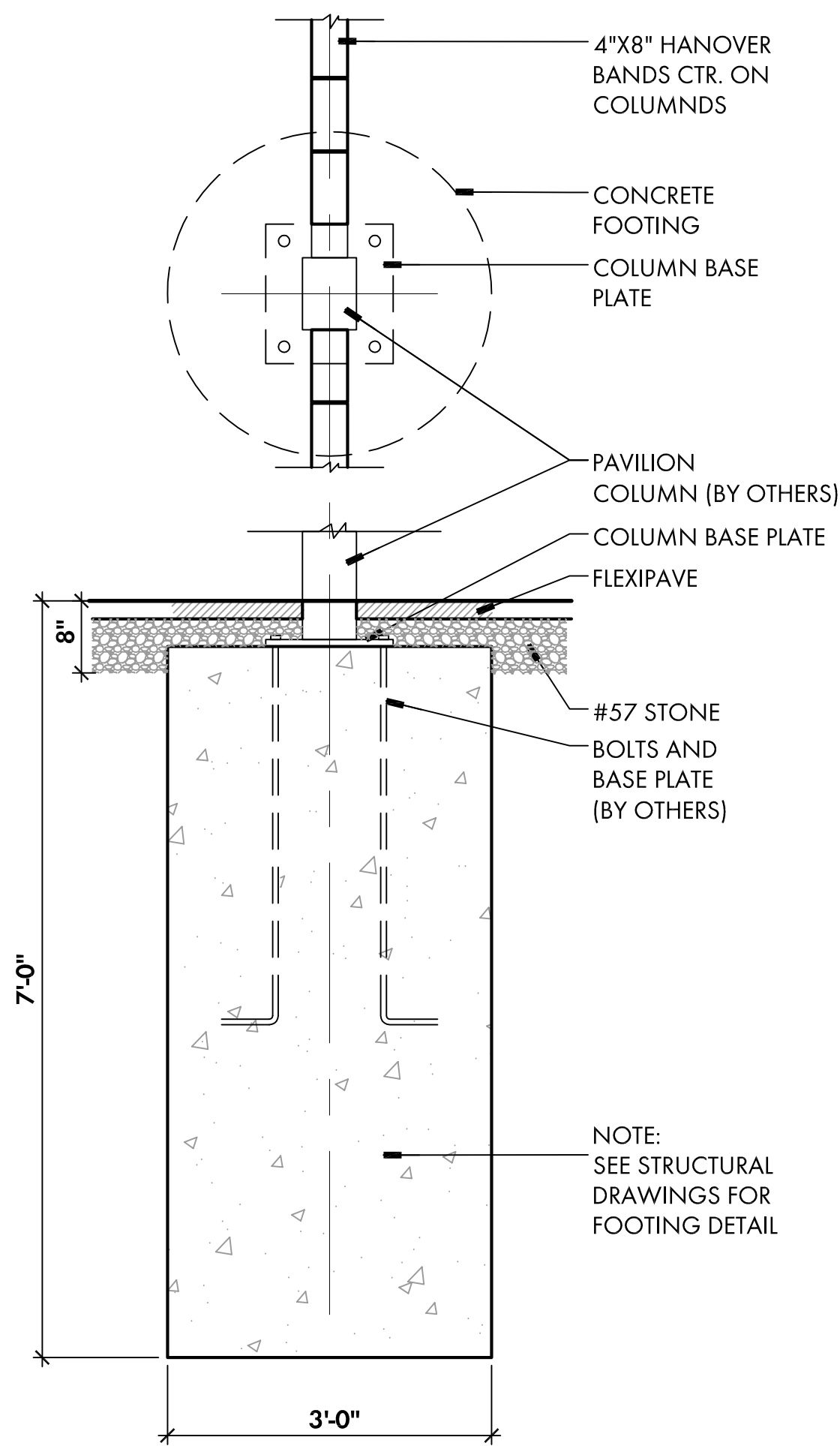
CMU RETAINING WALL SCHEDULE						
MAX. WALL H	DIMENSIONS AND REINFORCING					REQUIRED BEARING CAPACITY (PSF)
	D	W	T	LAP	R	
3'-6"	1'-0"	3'-0"	1'-0"	NO LAP	#5@48"	1000
5'-0"	1'-0"	4'-6"	1'-6"	2'-6"	#5@32"	1000
6'-6"	1'-0"	6'-0"	2'-0"	2'-6"	#5@16"	1000



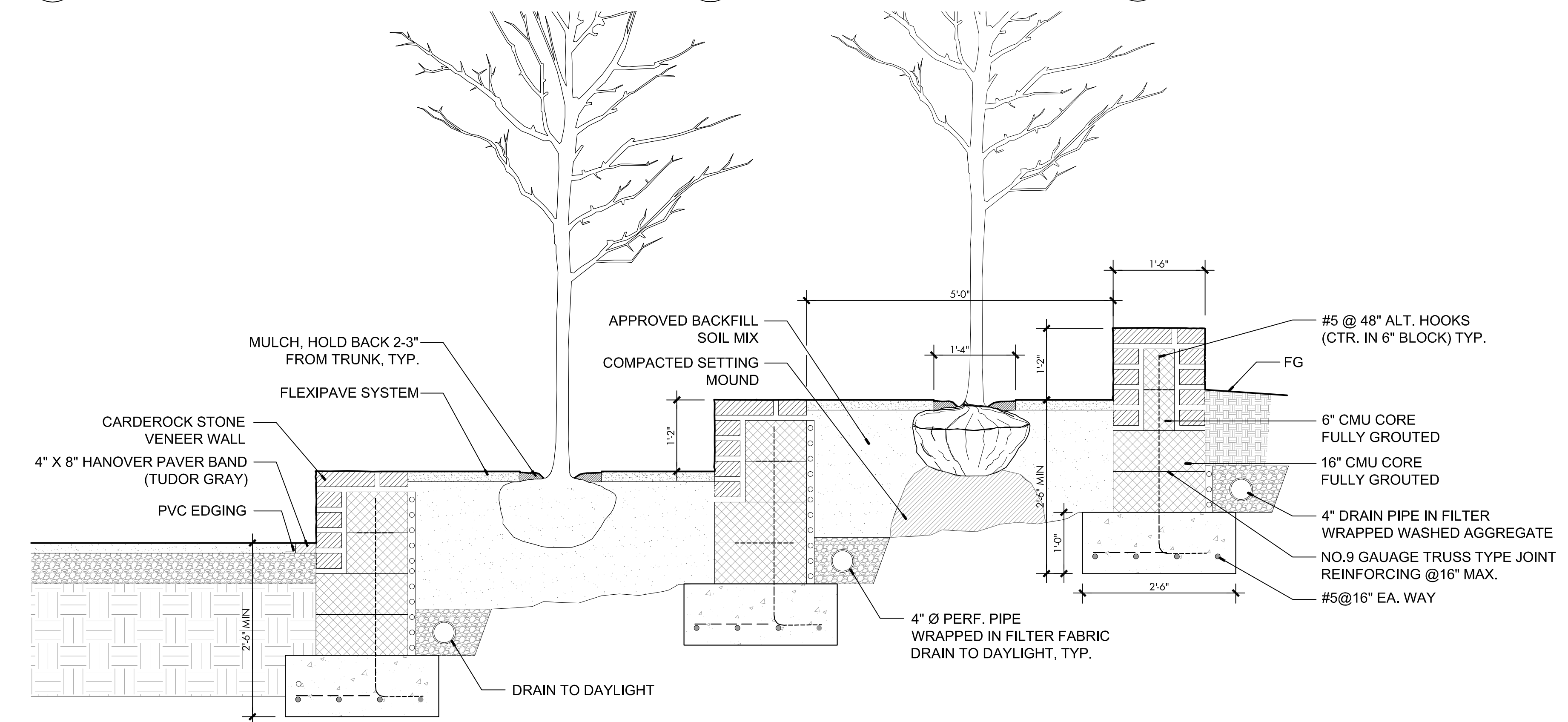
1 SECTION @ CAROUSEL SLAB
SCALE: 1 1/2" = 1'-0"



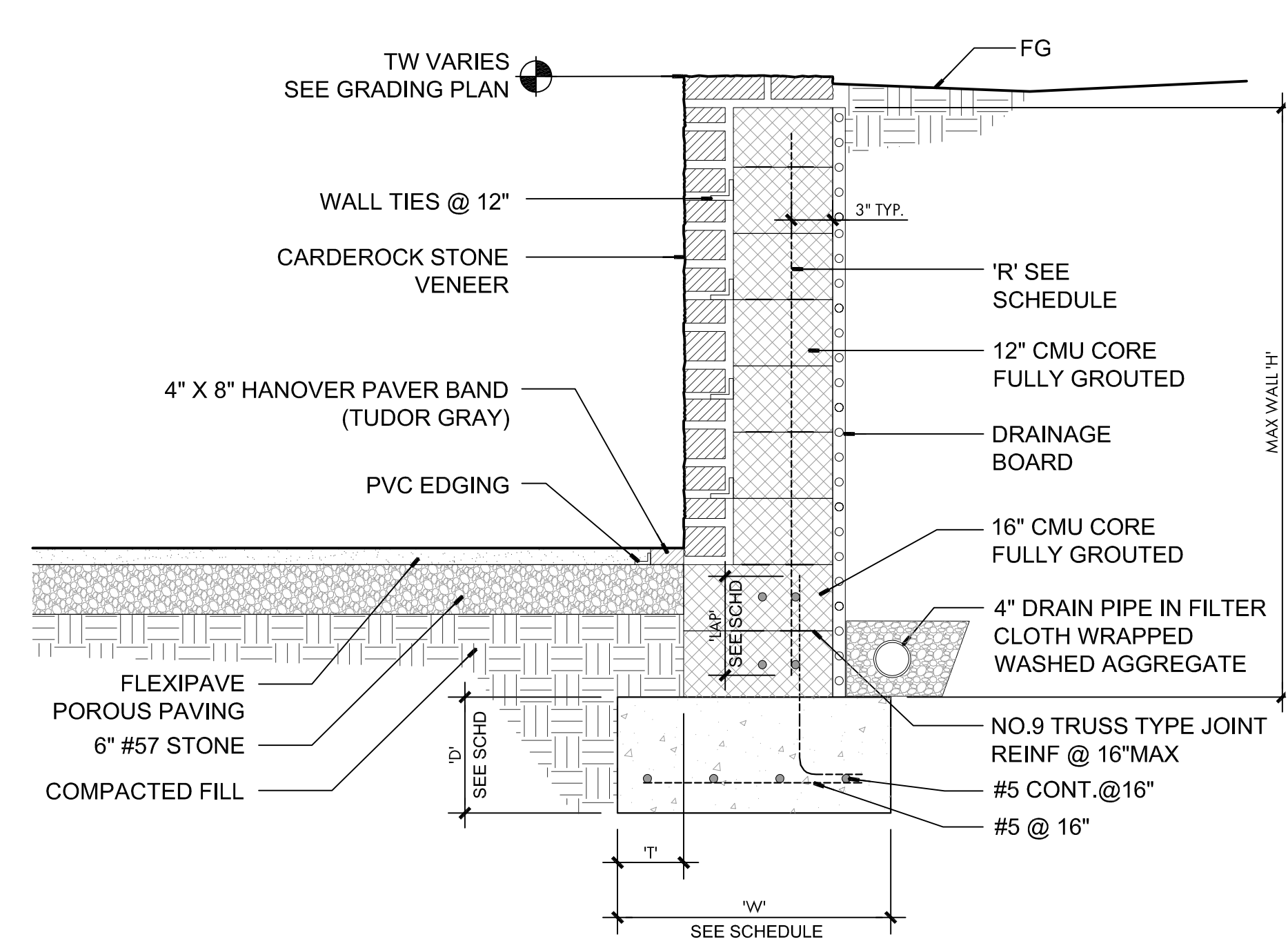
2 FENCE FOOTING SECTION
SCALE: 1 1/2" = 1'-0"



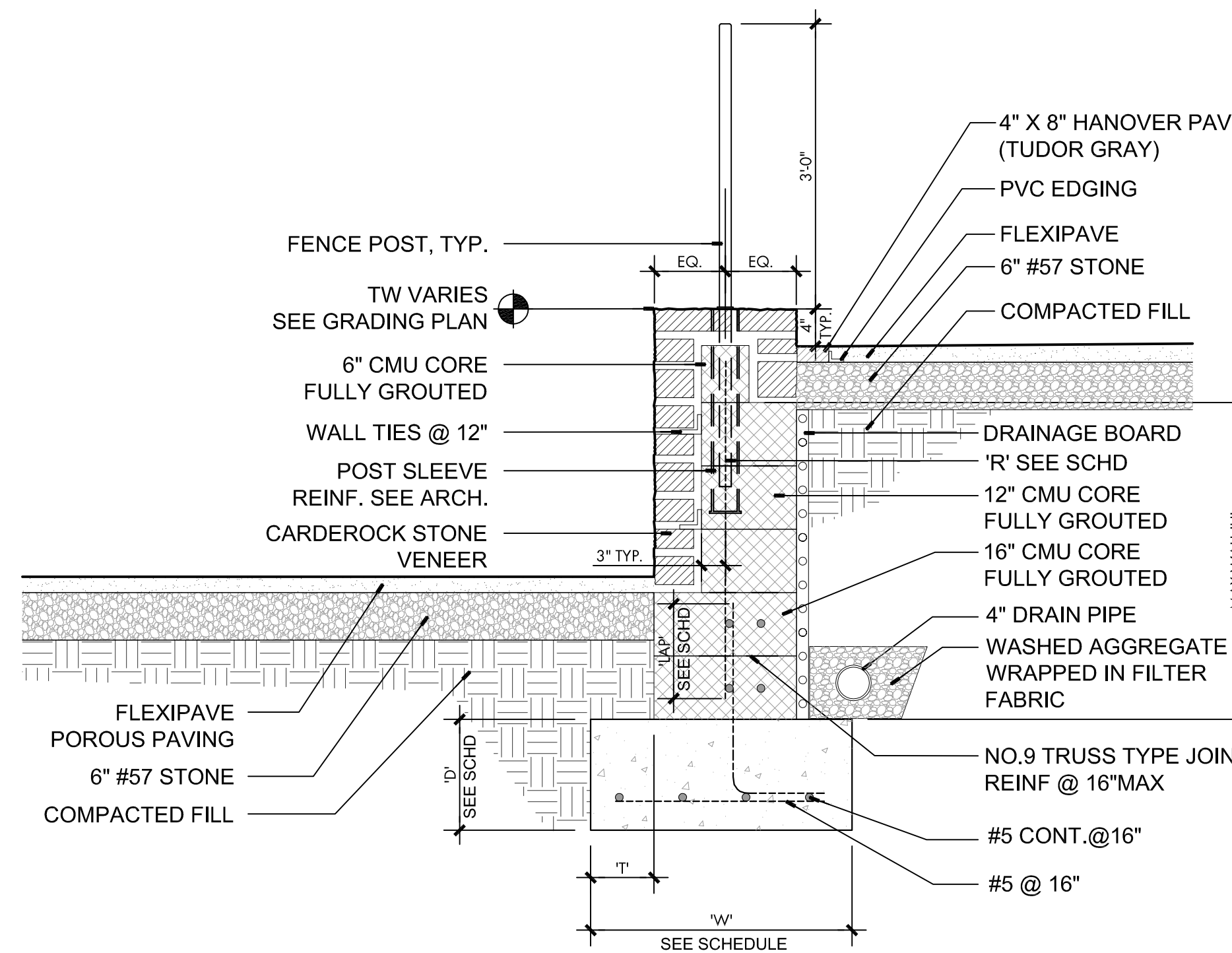
3 SECTION @ COLUMNS
SCALE: 3/4" = 1'-0"



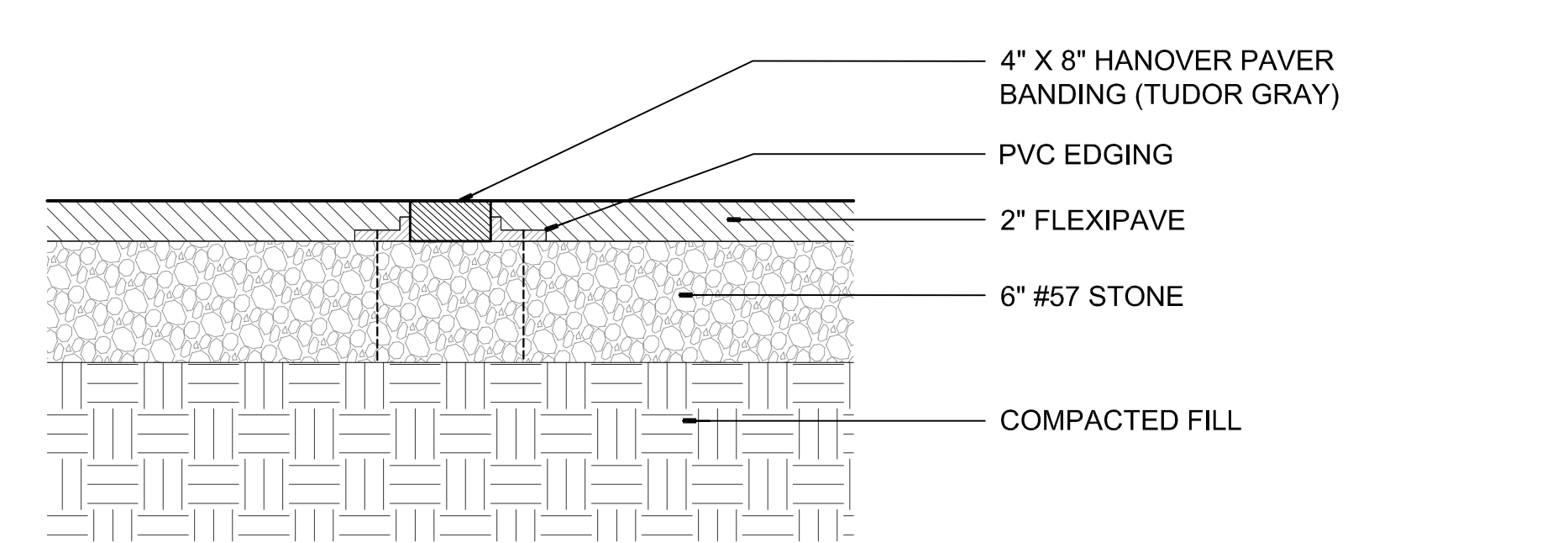
5 WALL SEAT SECTION @ SEATWALLS
SCALE: 3/4" = 1'-0"



4 TYPICAL WALL SECTION @ EAST SIDE
SCALE: 3/4" = 1'-0"



6 TYPICAL WALL SECTION @ WEST SIDE
SCALE: 3/4" = 1'-0"



7 TYPICAL INTERIOR PAVER BAND
SCALE: 1 1/2" = 1'-0"

AYERS SAINT GROSS
ARCHITECTS + PLANNERS

800 EYE STREET, SUITE 600
WASHINGTON, DC 20001
PHONE: (202) 628-1033
FAX: (202) 628-1034

STRUCTURAL ENGINEER
Robert Silman Associates
1055 31st Street, NW
Washington, DC 20007
Phone: (202) 333-6200 x 200
Fax: (202) 315-3015

CIVIL ENGINEER
Rummel, Klegger & Kahl, LLP
81 Mosier Street
Baltimore, MD 21217
Phone: (410) 728-2900
Fax: (410) 728-2634

MEP ENGINEER
James Foley Associates
3112 Lord Baltimore Drive
Baltimore, Maryland 21244-2871
Phone: (410) 258-4100
Fax: (410) 298-8620

LANDSCAPE ARCHITECT
Michael Vergosen Landscape Architects
102 King Street
Alexandria, VA 22314
Phone: (703) 836-5507
Fax: (703) 836-5505

CONSULTANTS

STAMP

KEY PLAN

AS INDICATED

DRAWING SCALE

DATE	SUBMISSION
8/14/12	REDESIGN
REVISION 1	REVISION
REVISION 2	REVISION
REVISION 3	REVISION
REVISION 4	REVISION
REVISION 5	REVISION
REVISION 6	REVISION

Smithsonian Institution

Office of Facilities Engineering and Operations
600 Maryland Avenue S.W., Suite 5001
Washington DC 20024-2520

BUILDING NAME	NATIONAL ZOOLOGICAL PARK
ADDRESS	3001 CONN. AVENUE, NW WASHINGTON DC 20008
PROJECT TITLE	NZP INSTALL CAROUSEL PAVILION IN LOWER PARK
OTD PROJECT NUMBER	1133115
A/E PROJECT NUMBER	21186.00
DRAWING TITLE	SITE DETAILS
DRAWING TYPE	LANDSCAPE
WORKING STAFF	DH DW BC
SHEET NO.	L 3 01
DISCIPLINE	TYPE
SEQUENCE	SEQUENCE