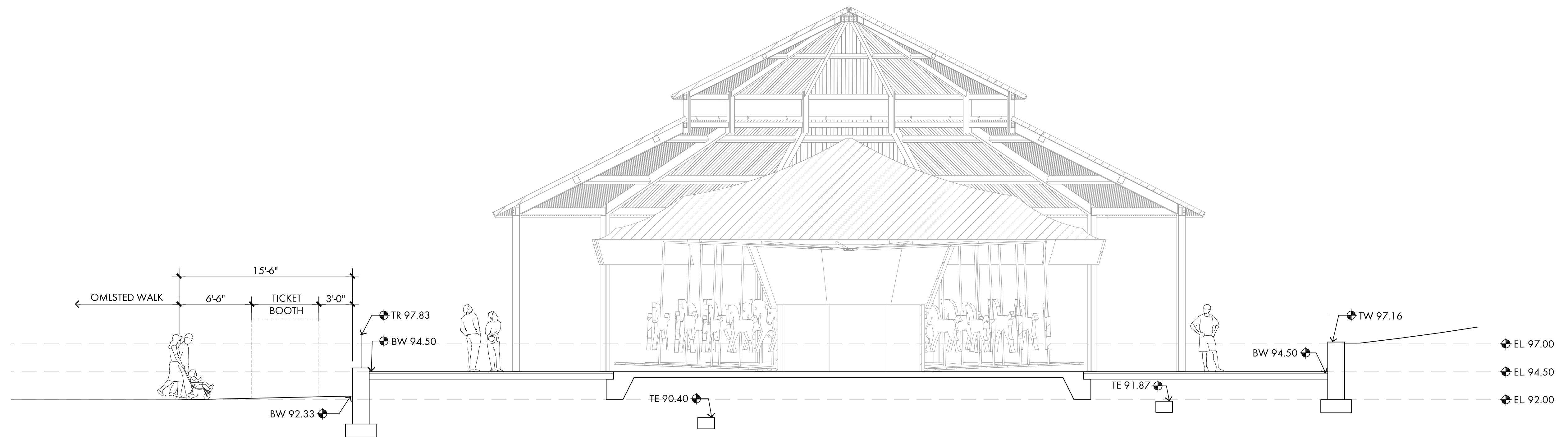
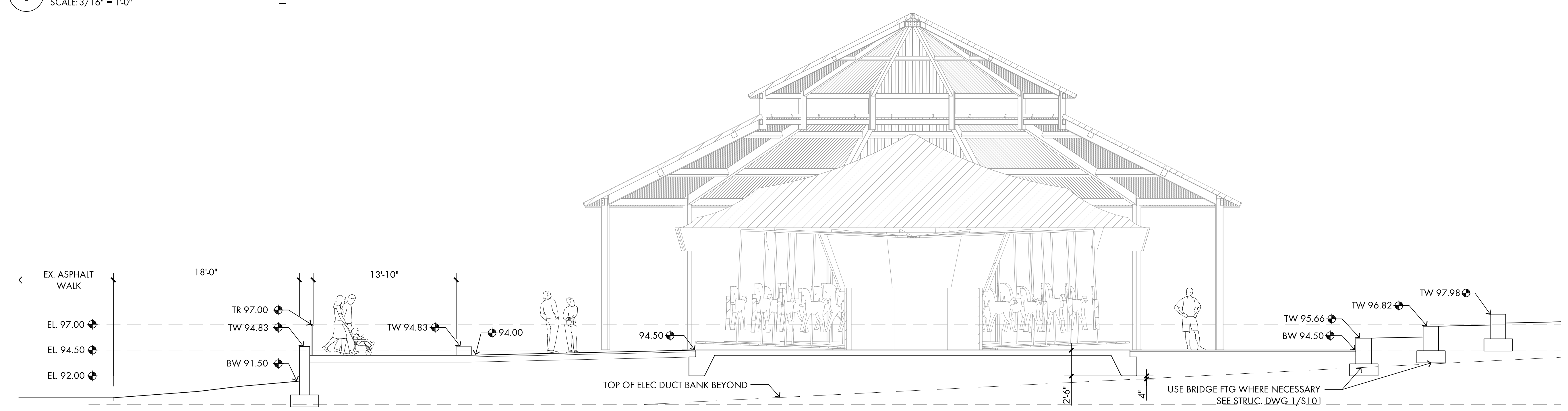


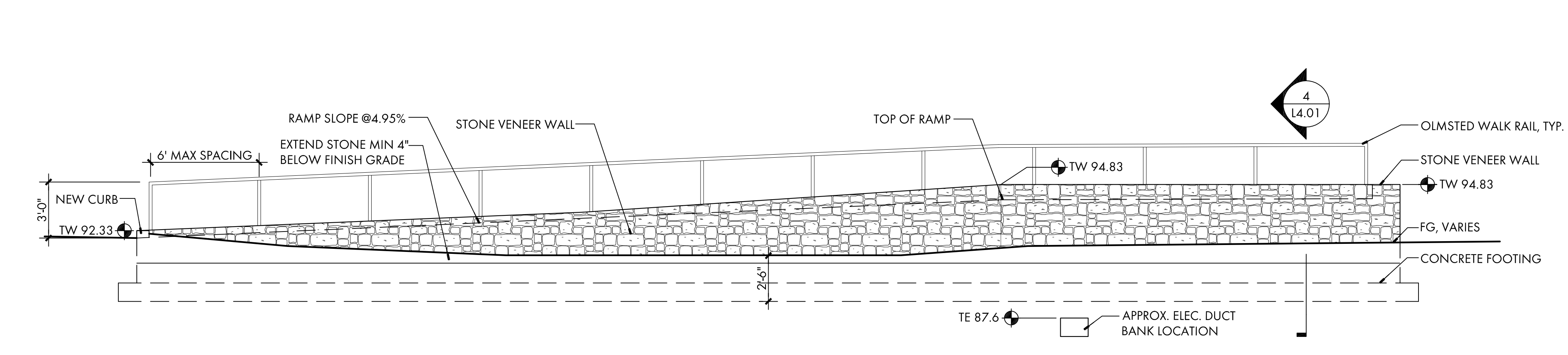
STRUCTURAL ENGINEER Robert Silman Associates 1053 31st Street, NW Washington, DC 20037 Phone: (202) 333-6200 x 200 Fax: (202) 315-3015	CIVIL ENGINEER Rummel, Klagge & Kohl, LLP 81 Mosier Street Baltimore, MD 21217 Phone: (410) 728-2900 Fax: (410) 728-2634
ME/P ENGINEER James Foley Associates 3112 Lord Baltimore Drive Baltimore, Maryland 21244-2871 Phone: (410) 261-6100 Fax: (410) 298-8620	LANDSCAPE ARCHITECT Michael Vergosen Landscape Architects 102 King Street Alexandria, VA 22314 Phone: (703) 836-2507 Fax: (703) 836-5505



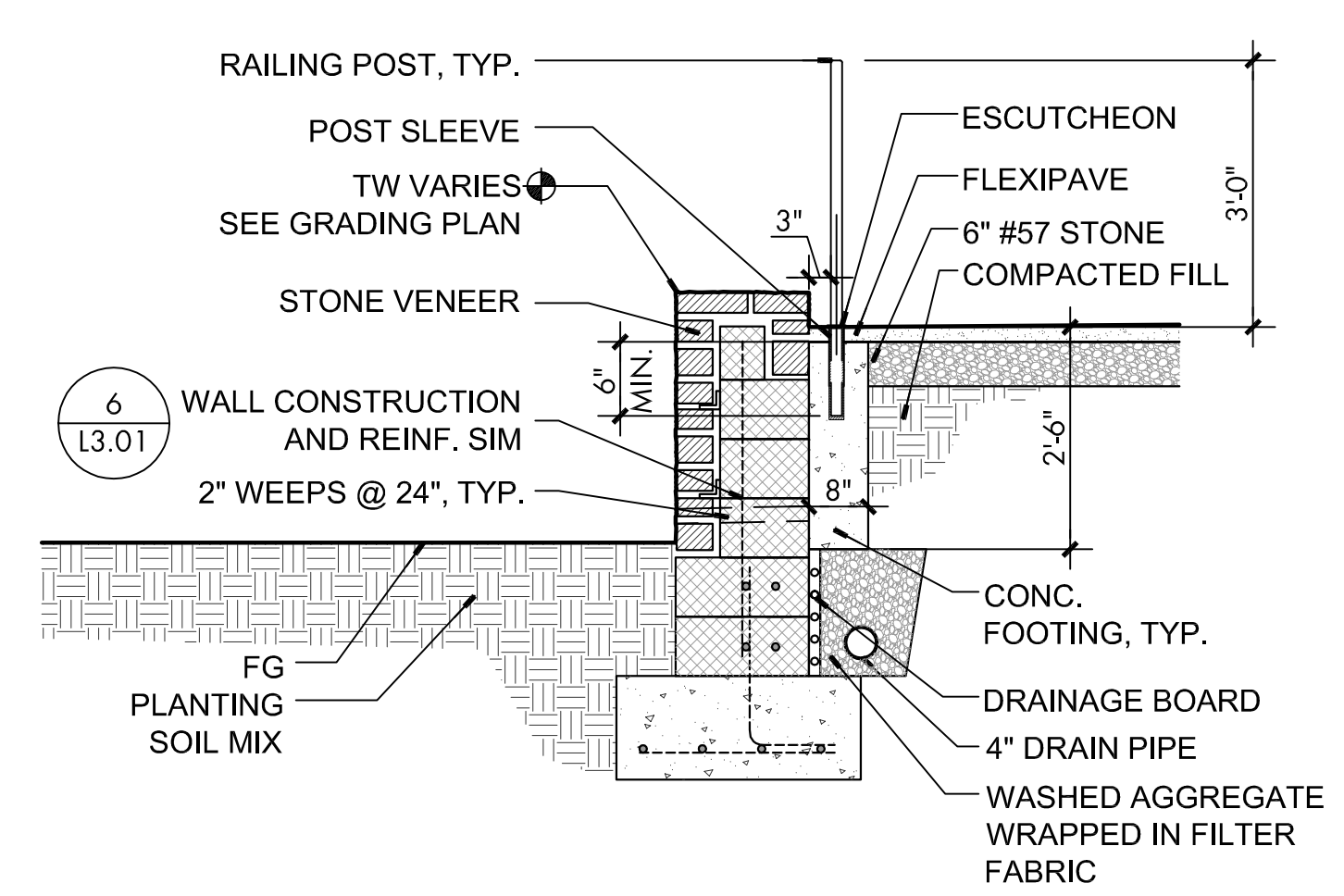
1 SITE SECTION E-W
SCALE: 3/16" = 1'-0"



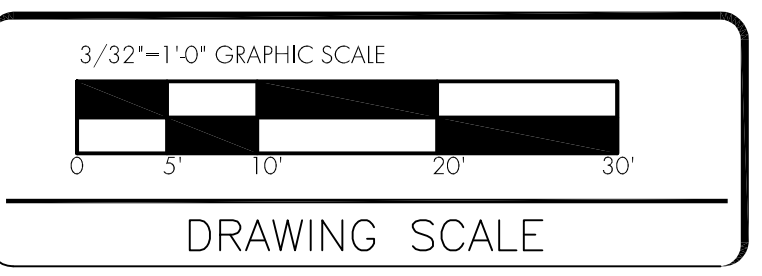
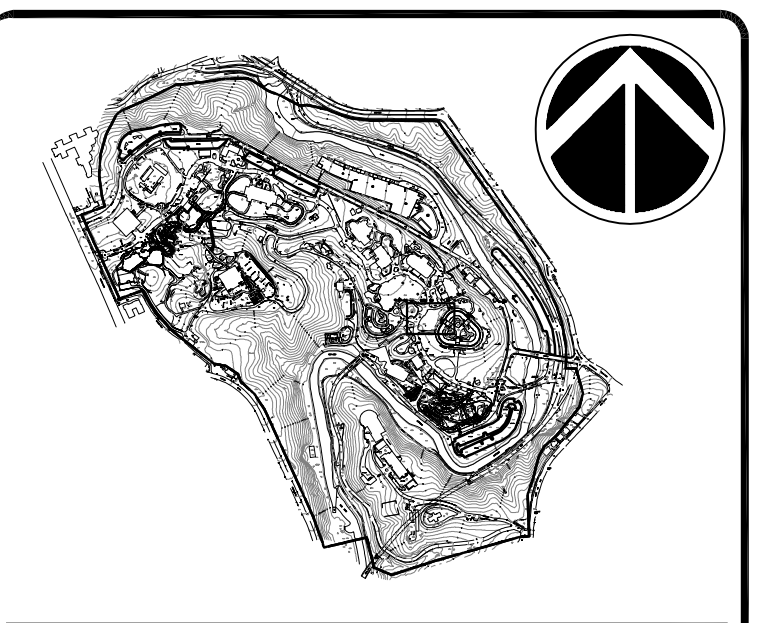
2 SITE SECTION N-S
SCALE: 3/16" = 1'-0"



3 RAMP WALL ELEVATION
SCALE: 1/4" = 1'-0"



4 WALL SECTION @ RAMP
SCALE: 1/2" = 1'-0"



DATE 8/14/12	SUBMISSION REDESIGN
REVISION 1	REVISION
REVISION 2	
REVISION 3	
REVISION 4	
REVISION 5	
REVISION 6	

Office of Facilities Engineering and Operations
600 Maryland Avenue S.W., Suite 5001
Washington DC 20024-2520

BUILDING NAME NATIONAL ZOOLOGICAL PARK	ADDRESS 3001 CONN. AVENUE, NW WASHINGTON DC 20008
PROJECT TITLE NZP INSTALL CAROUSEL PAVILION IN LOWER PARK	OFD PROJECT NUMBER 1133115
A/E PROJECT NUMBER 21186.00	DRAWING TITLE SITE PLAN
DRAWING TYPE LANDSCAPE	DESIGNED BY DH
WORKING STAFF	DRAWN BY DW
	CHECKED BY BC
SHEET NO. L 4 01	DISCIPLINE LANDSCAPE
	TYPE SITE PLAN
	SEQUENCE 01