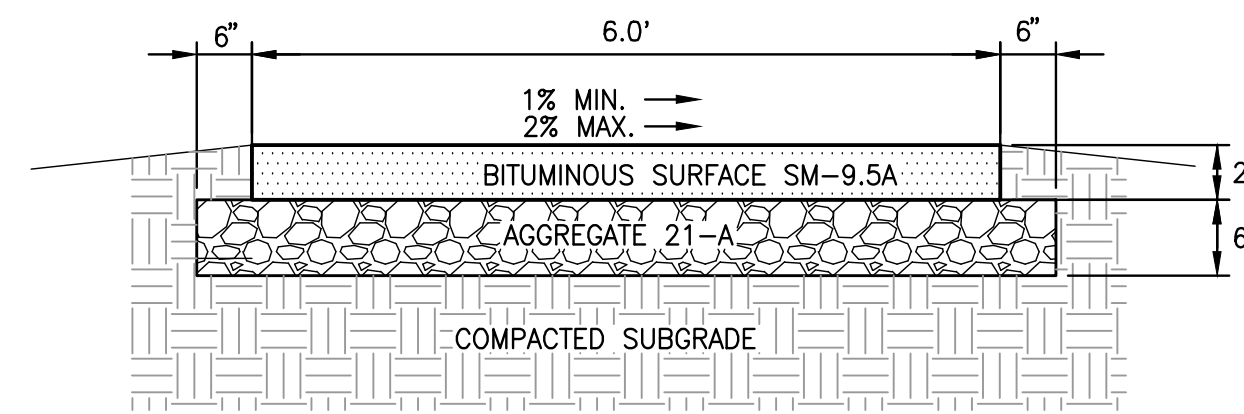
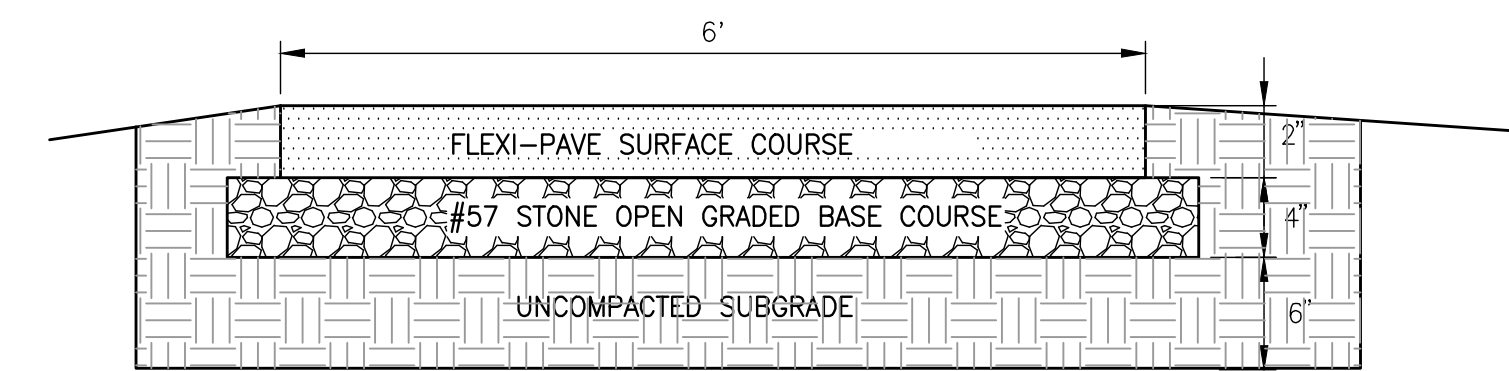


1
13 9' ASPHALT TRAIL SECTION
N.T.S.



2A
13 6' ASPHALT WALK SECTION
N.T.S.

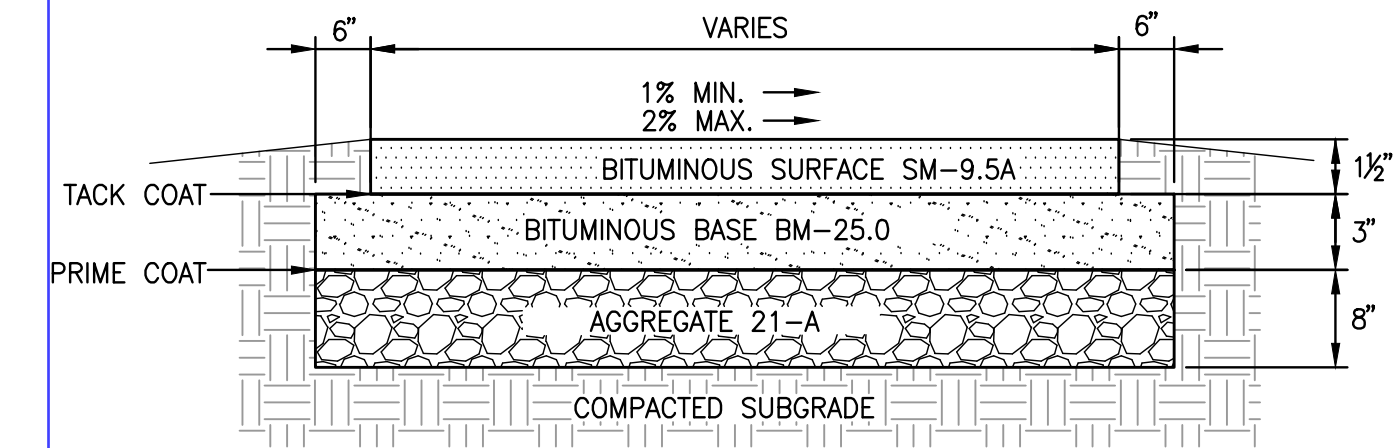


NOTES:
1. SEE SHEET 8 FOR LIMITS.

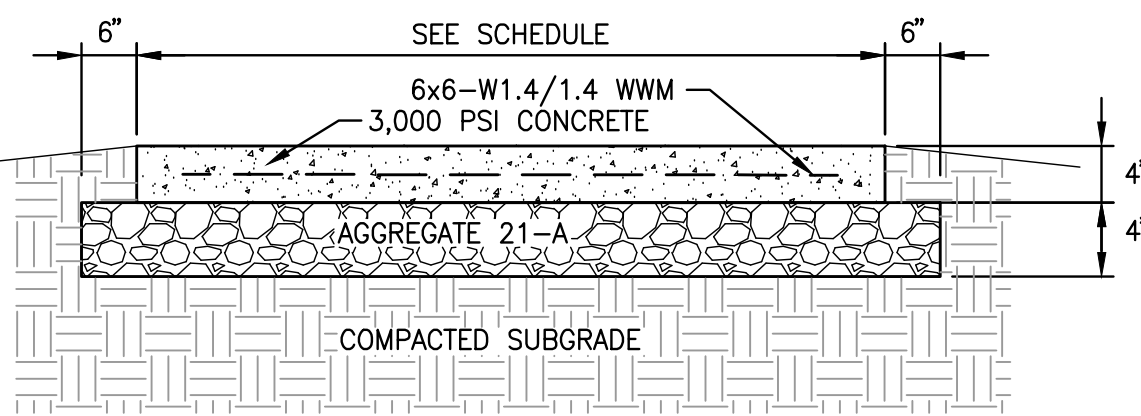
PAVING NOTES:

1. COMPACTED AGGREGATE 21-A SHALL BE COMPACTED TO 95% OF MAX. STANDARD PROCTOR DENSITY OR 90% OF MAX. MODIFIED PROCTOR DENSITY.

2B
13 ALTERNATE - 6' POROUS PAVEMENT
N.T.S.



3
13 VEHICULAR ASPHALT PAVEMENT SECTION
N.T.S.

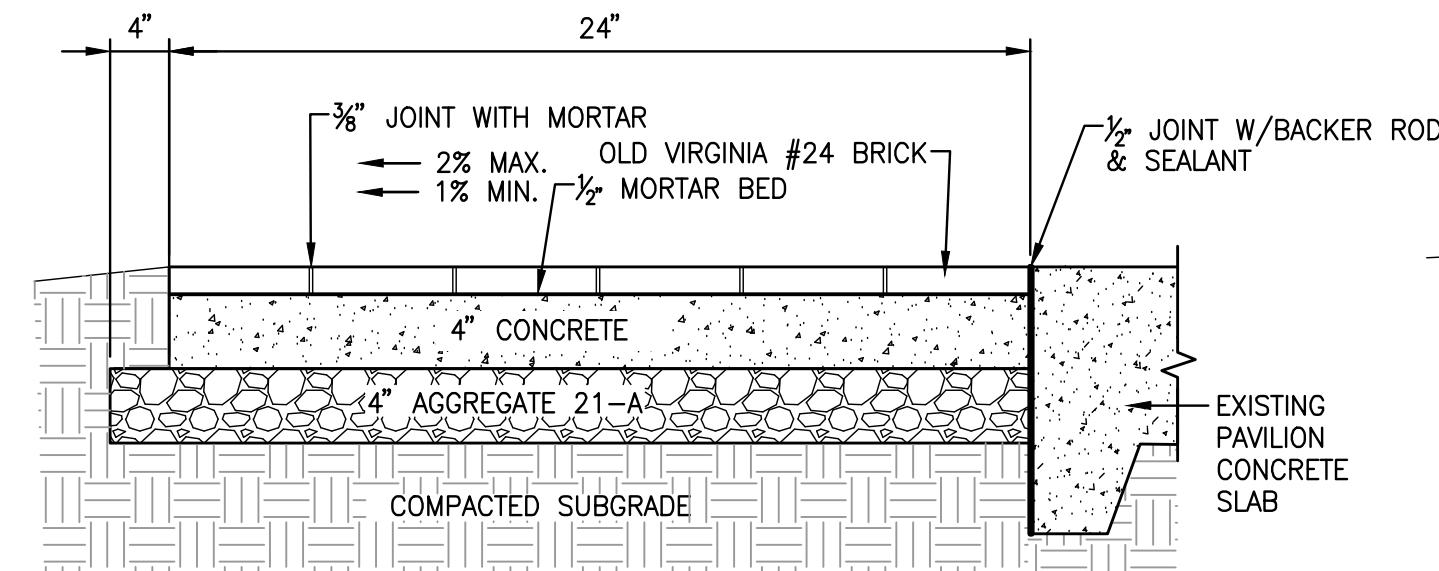


NOTES: SITE FURNITURE CONCRETE PAD MIN. DIMENSIONS:

- | | | |
|--------------------------|---------|------------------------|
| 1. LITTER RECEPTACLE | 4'x4' | - NO CONTROL JOINTS |
| 2. DRINKING FOUNTAIN | 5'x8' | - NO CONTROL JOINTS |
| 3. BENCH | 4'x7.5' | - NO CONTROL JOINTS |
| 4. PLAYERS BENCH (15') | 4'x16' | - NO CONTROL JOINTS |
| 5. BICYCLE RACK | 8'x11' | - CONTROL JOINTS -1 EW |
| 6. GRILL | 10'x13' | - CONTROL JOINTS -1 EW |
| 7. PICNIC TABLE (ADA) | 14'x18' | - CONTROL JOINTS -1 EW |
| 8. PICNIC TABLE W/ GRILL | 12'x22' | - CONTROL JOINTS -1 EW |

NOTE: BENCH PADS IN PLAYGROUNDS TO BE FLUSH WITH CONCRETE BORDER AND PLAYGROUND SURFACING. PROVIDE 1/2" ROUNDED CHAMFER ON EDGES WITH PLAYGROUNDS SURFACING.

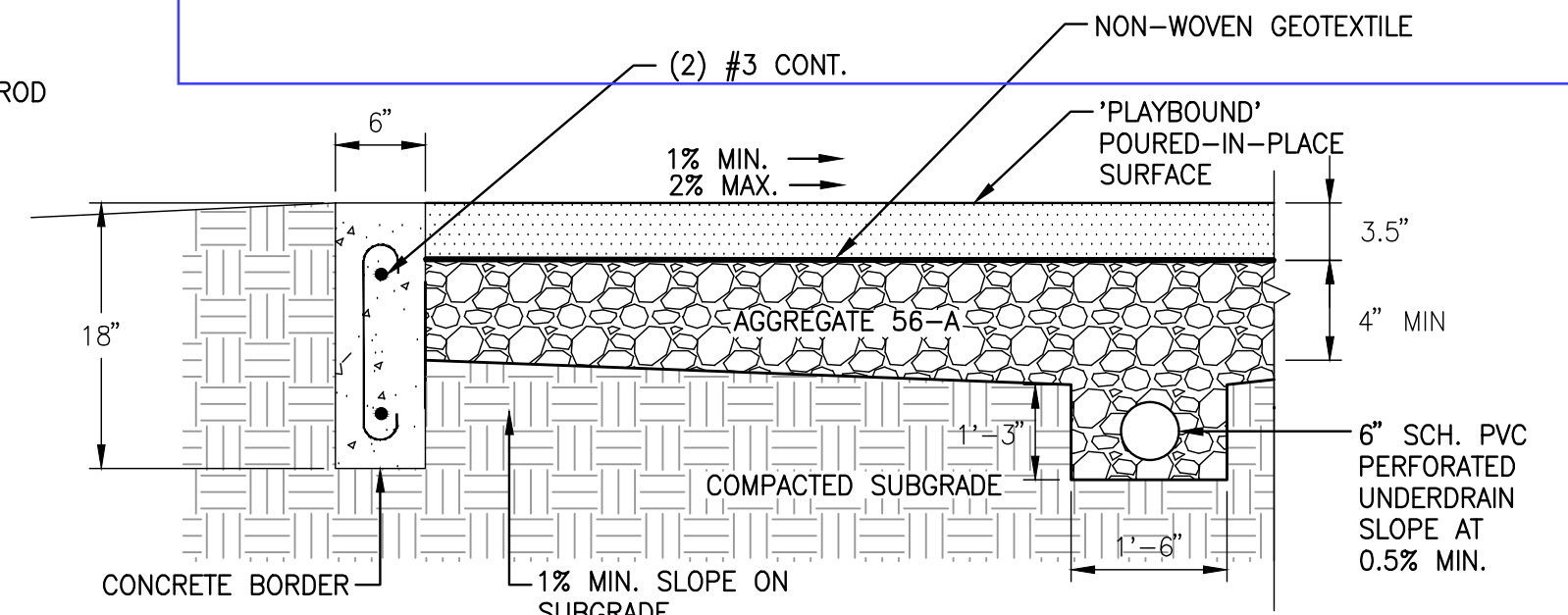
4
13 CONCRETE PAD - SITE FURNITURE
N.T.S.



NOTES:

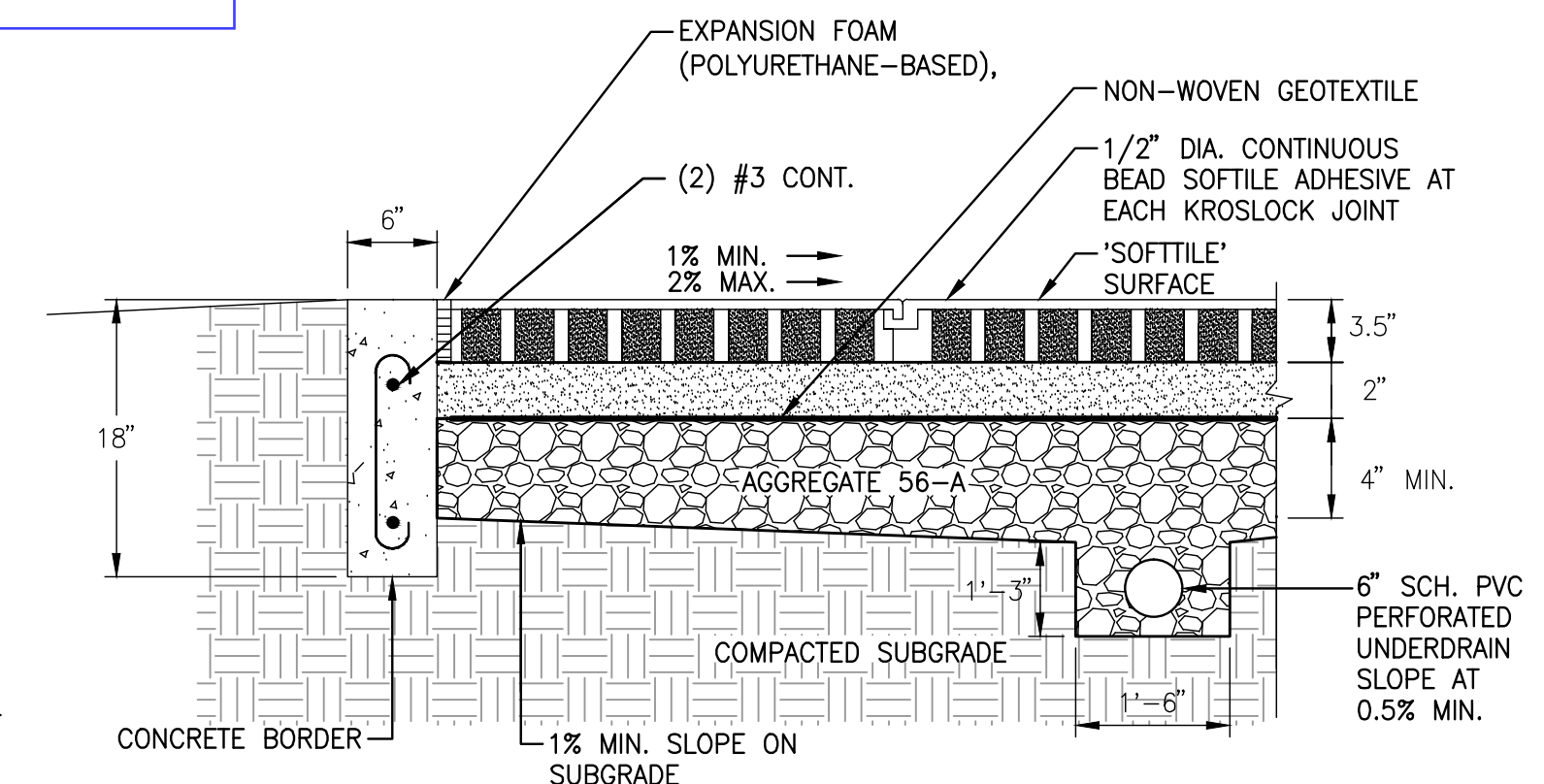
1. PAVERS TO BE OLD VIRGINIA #24 BRICK, 2 3/4" THICK OR APPROVED EQUAL BY CITY OF ALEXANDRIA.
2. PATTERN SHALL BE RUNNING BOND, PARALLEL TO THE CONCRETE PAVILION SLAB.
3. MITER CORNERS.
4. MORTAR SHALL BE ASTM C270 TYPE M.
5. BACKER ROD SHALL BE CLOSED TYPE. SEALANT SHALL BE TYPE M, GRADE NS, MEETING ASTM C920 AND INSTALLED PER ASTM C1193.
6. NO SLOPE ABOVE 2% WILL BE ALLOWED.

5
13 ALTERNATE - CONCRETE PAVER DETAIL
N.T.S.



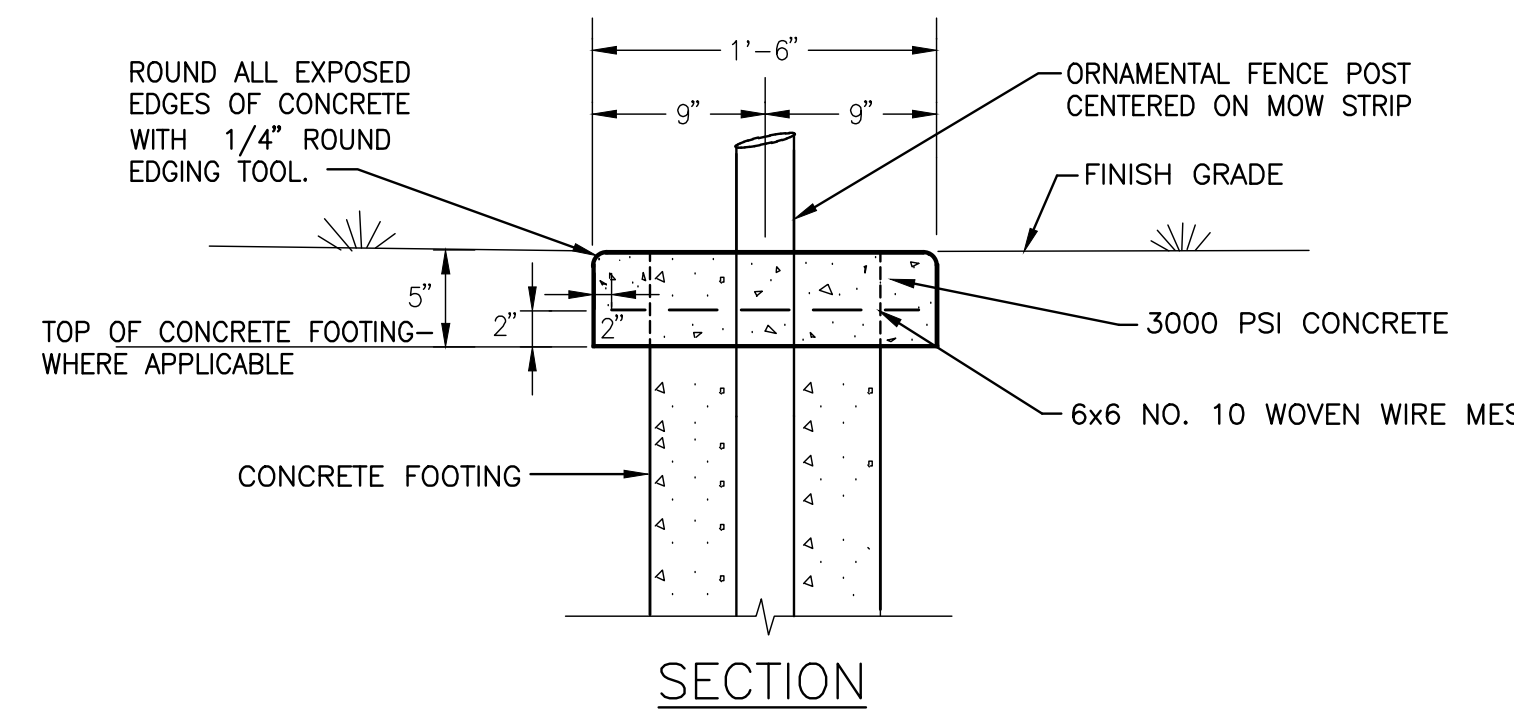
NOTE: SEE SPECIFICATIONS FOR PLAYGROUND PROTECTIVE SURFACING.

6A
13 PLAYGROUND BASE- POURED IN PLACE
N.T.S.



NOTE: SEE SPECIFICATIONS FOR PLAYGROUND PROTECTIVE SURFACING.

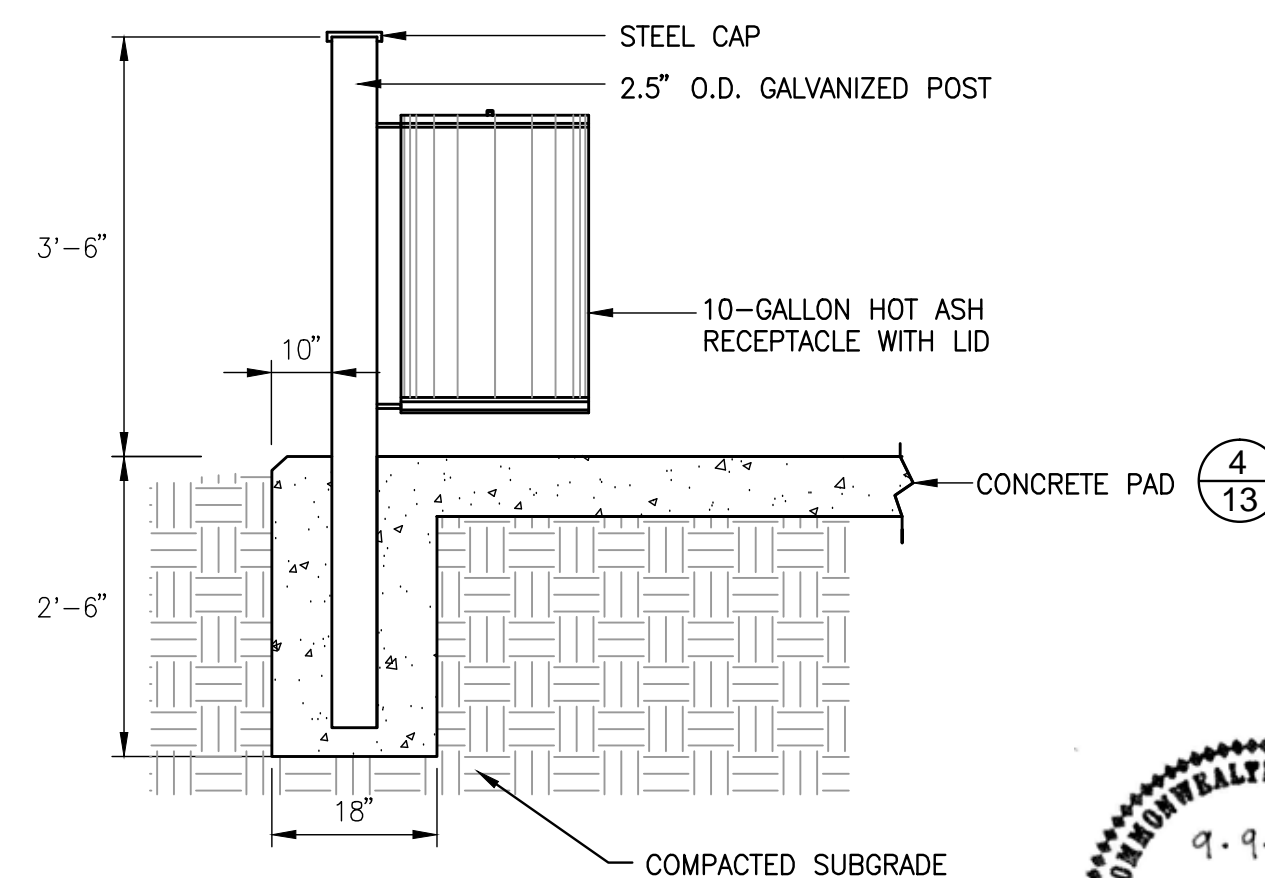
6B
13 ALTERNATIVE - PLAYGROUND BASE - TILE
N.T.S.



MOW STRIP NOTES:

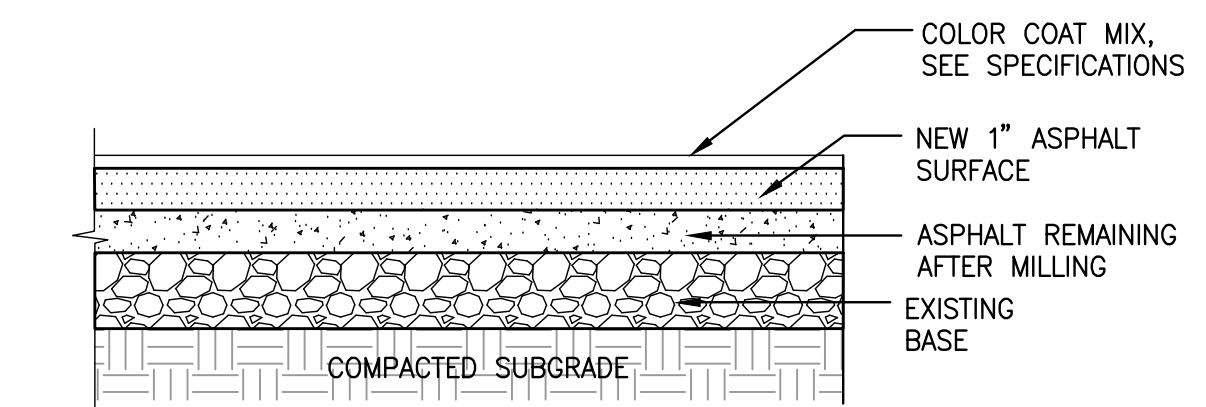
1. FENCE POST IN CONCRETE FOOTING SHALL BE INSTALLED BEFORE MOW STRIP IS PLACED.
2. SUBGRADE SHALL BE DRY, FIRM AND WELL-TAMPED.
3. CONCRETE MOW STRIP SHALL BE FORMED WITH NO LESS THAN 2" X 6" (NOM.) LUMBER. STEEL FORMS MAY BE USED.
4. CONCRETE SURFACE SHALL BE TROWELED SMOOTH AND ALL EXPOSED EDGES BE GIVEN A 2" WIDE BORDER WITH A ROUNDED EDGING TOOL. CROSS SLOPE FOR DRAINAGE AT 1/4":1'-0".
5. EXPANSION JOINTS SHALL BE PLACED AT 20' INTERVALS. AT MOW STRIP AND FOOTINGS.

10
13 ALTERNATE - CONCRETE MOW STRIP
N.T.S.



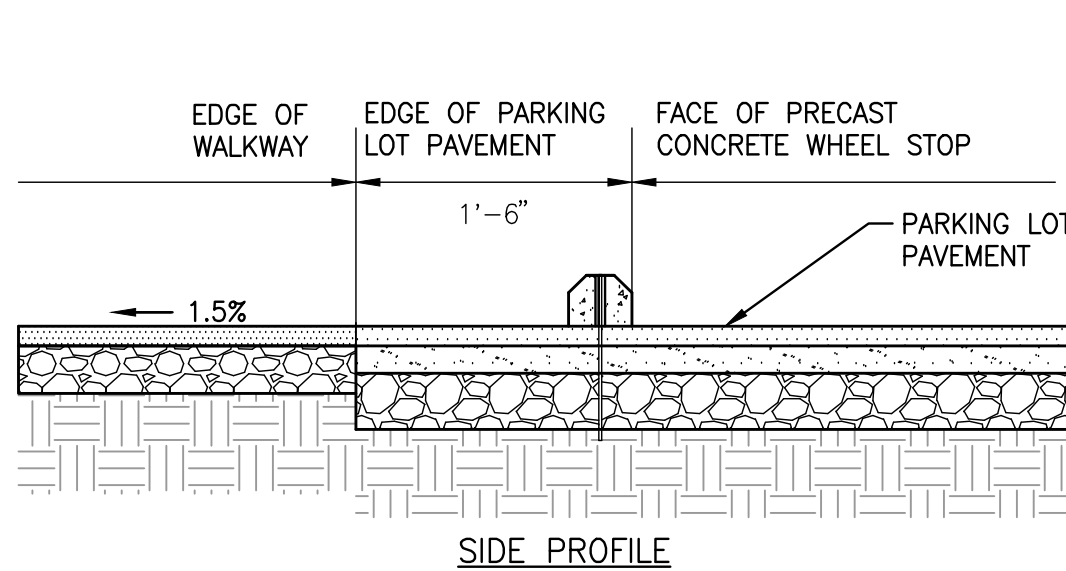
NOTES:
1. SEE SPECIFICATIONS FOR ADDITIONAL INFORMATION.

13
13 HOT ASH RECEPTACLE
N.T.S.

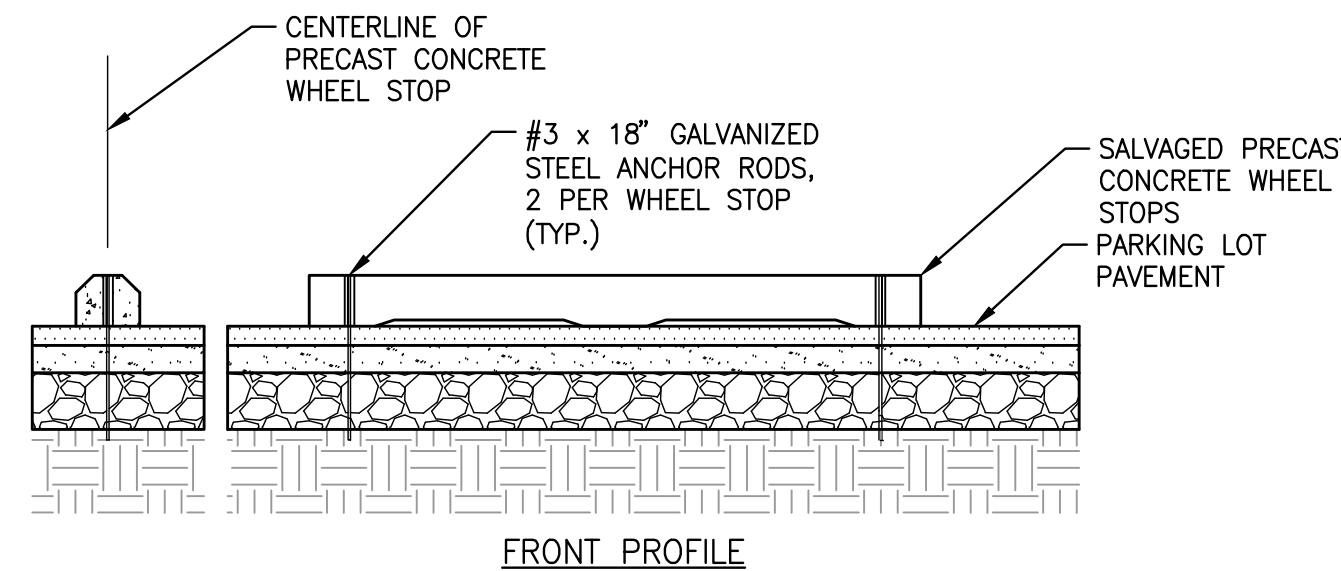


NOTE: NO PONDING WILL BE ALLOWED FOR COURT RE-SURFACING.

11
13 COURT SURFACING
N.T.S.

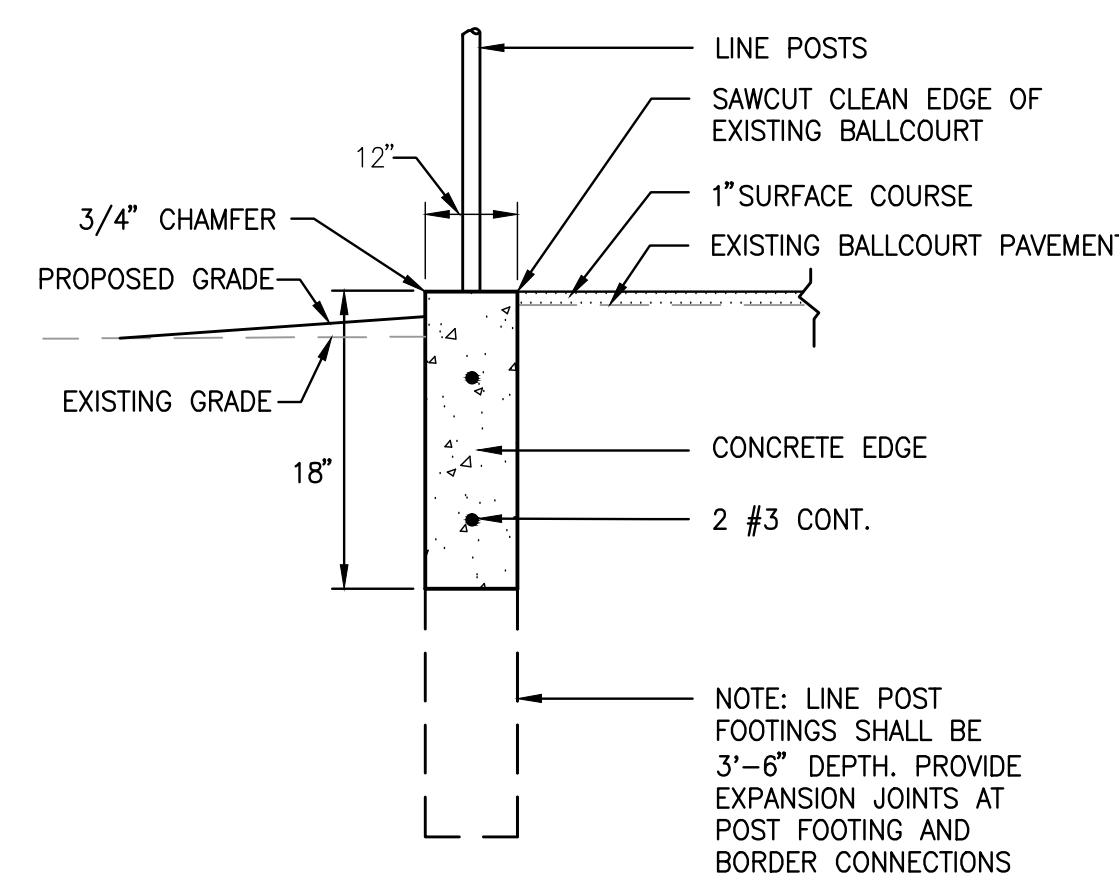


SIDE PROFILE



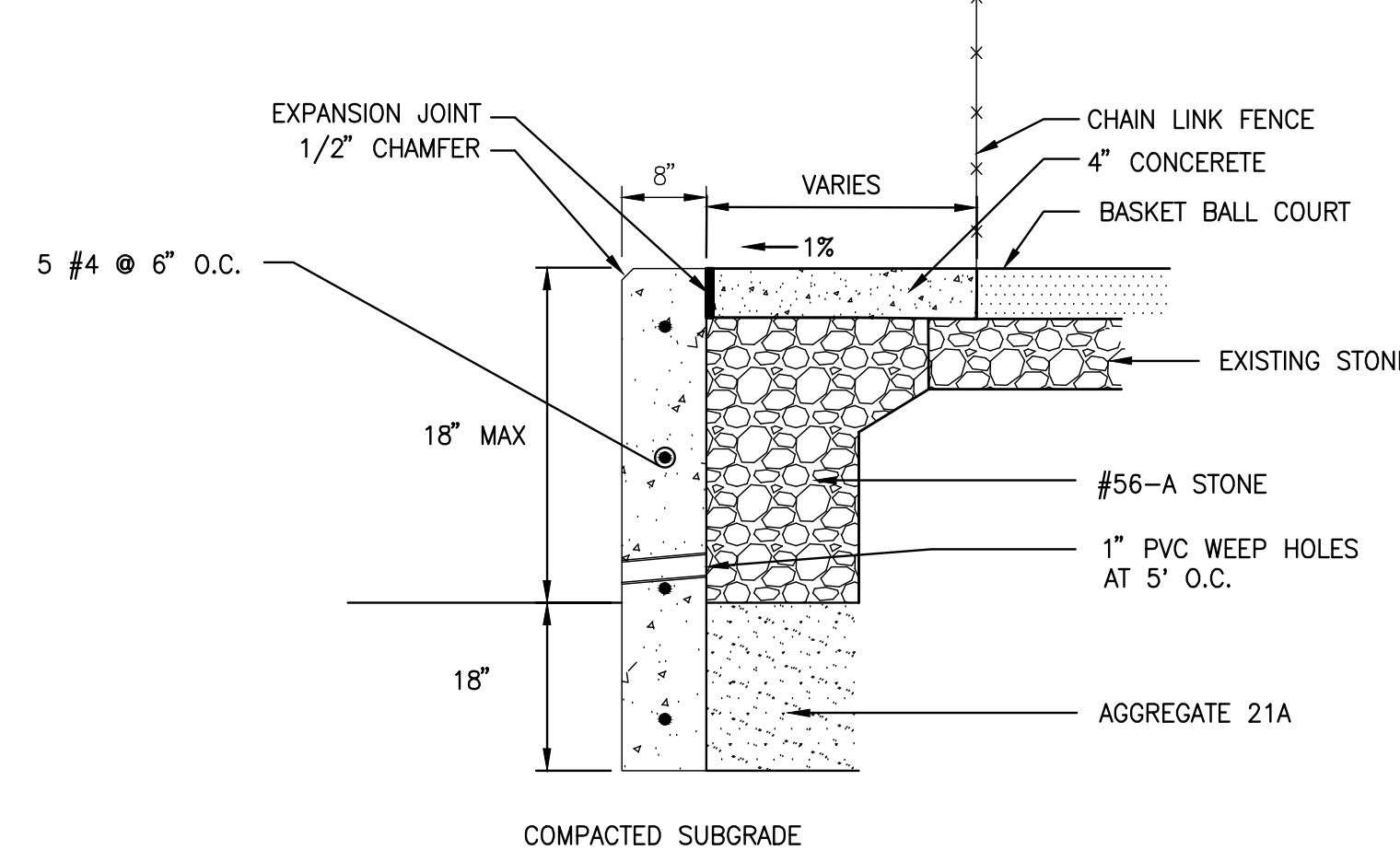
FRONT PROFILE

8
13 SALVAGED CONCRETE WHEEL STOPS
N.T.S.

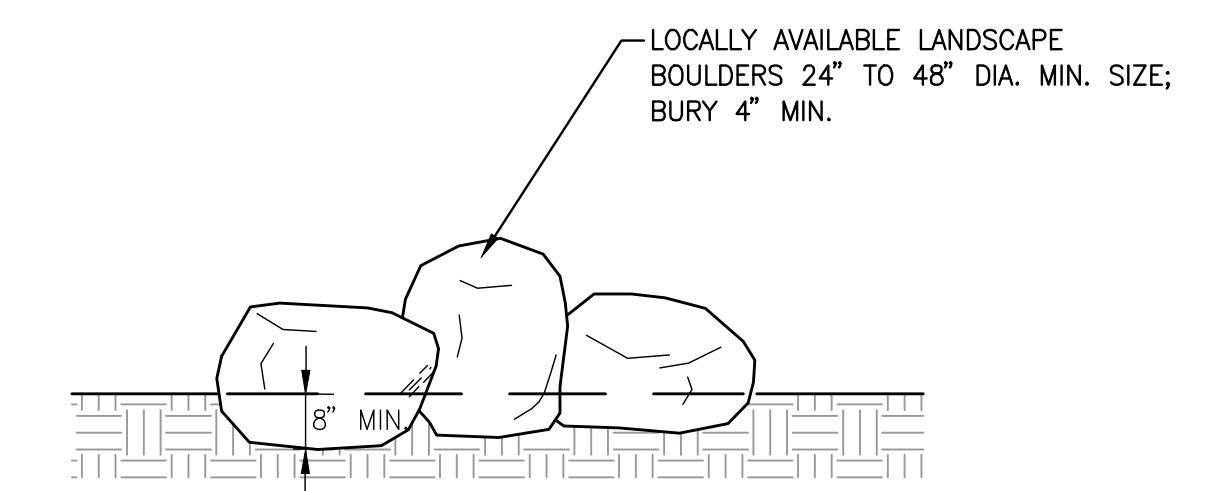


NOTE: LINE POST FOOTINGS SHALL BE 3'-6" DEPTH. PROVIDE EXPANSION JOINTS AT POST FOOTING AND BORDER CONNECTIONS

7
13 ALTERNATE - BALLCOURT BORDER
N.T.S.



9
13 CONCRETE CURB WALL
N.T.S.



12
13 LANDSCAPE BOULDERS
N.T.S.



SITE DETAILS

APPROVED
SPECIAL USE PERMIT NO. _____
DEPARTMENT OF PLANNING & ZONING

DIRECTOR DATE

DEPARTMENT OF TRANSPORTATION & ENVIRONMENTAL SERVICES
SITE PLAN NO. _____

DIRECTOR DATE

CHAIRMAN, PLANNING COMMISSION DATE

DATE RECORDED _____

INSTRUMENT NO. _____ DEED BOOK NO. _____ PAGE NO. _____