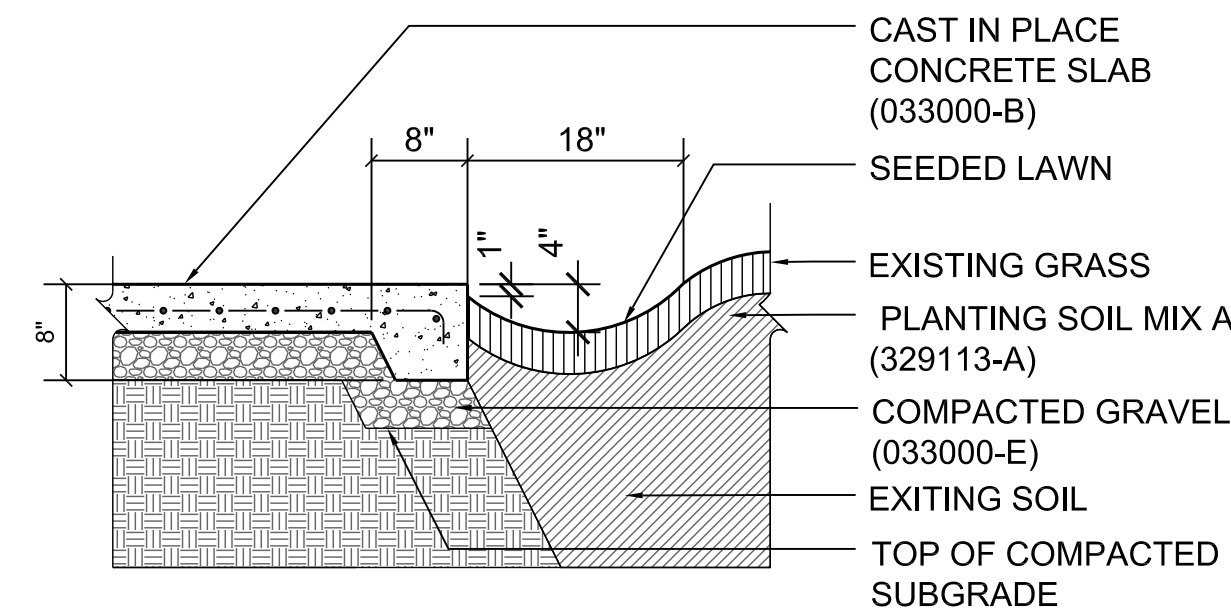


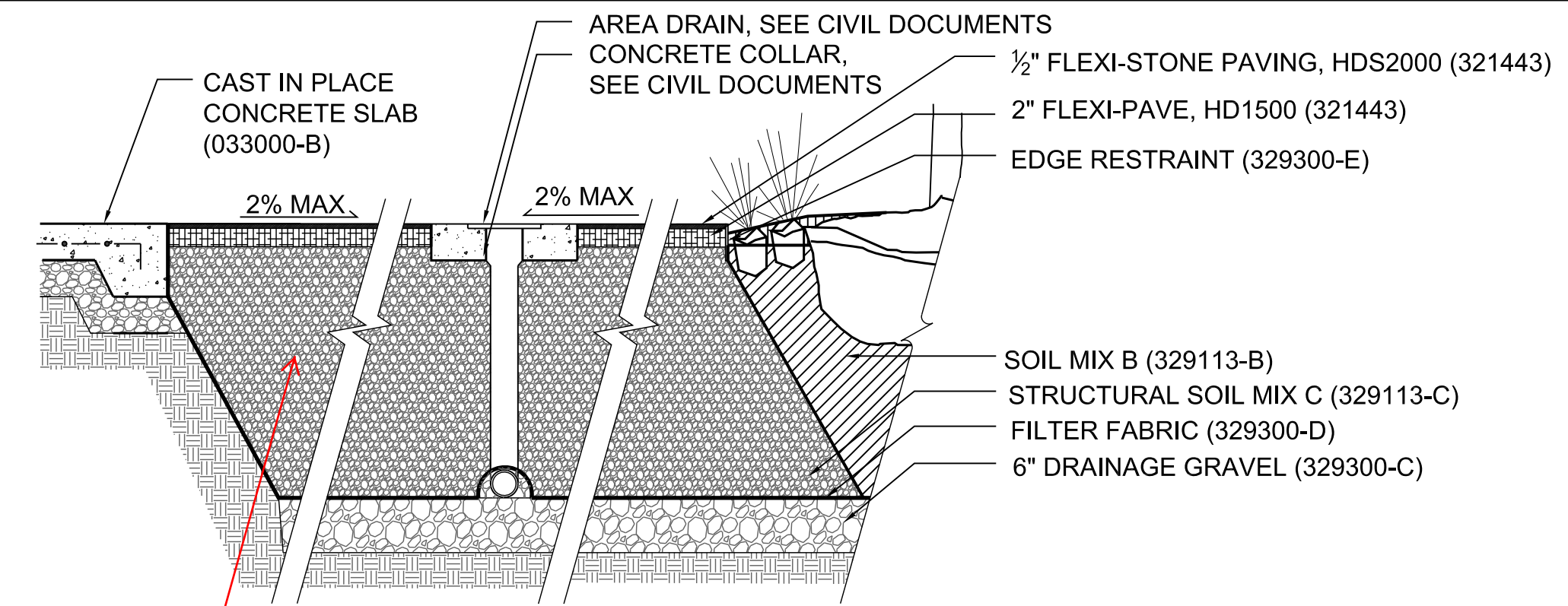
1 Concrete @ Plant Bed

Scale: 3/4" = 1'-0"



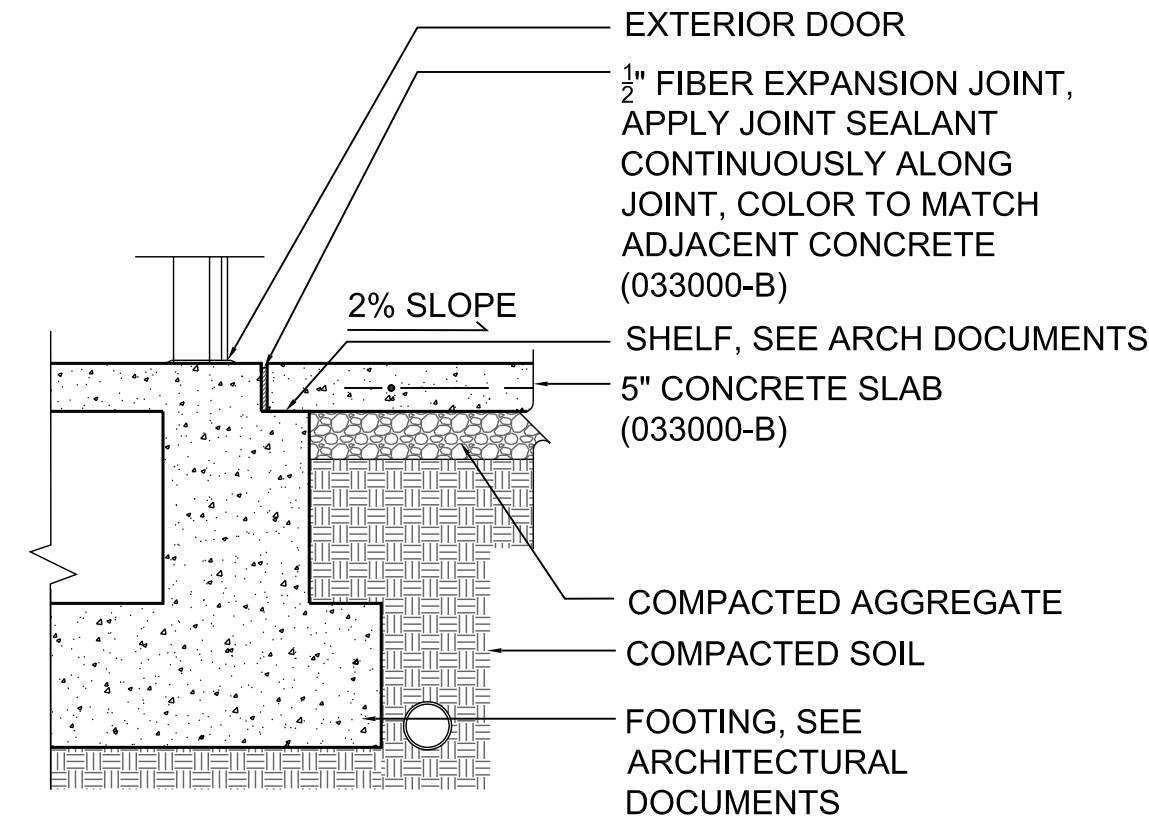
2 Concrete @ Existing Grass Area

Scale: 3/4" = 1'-0"



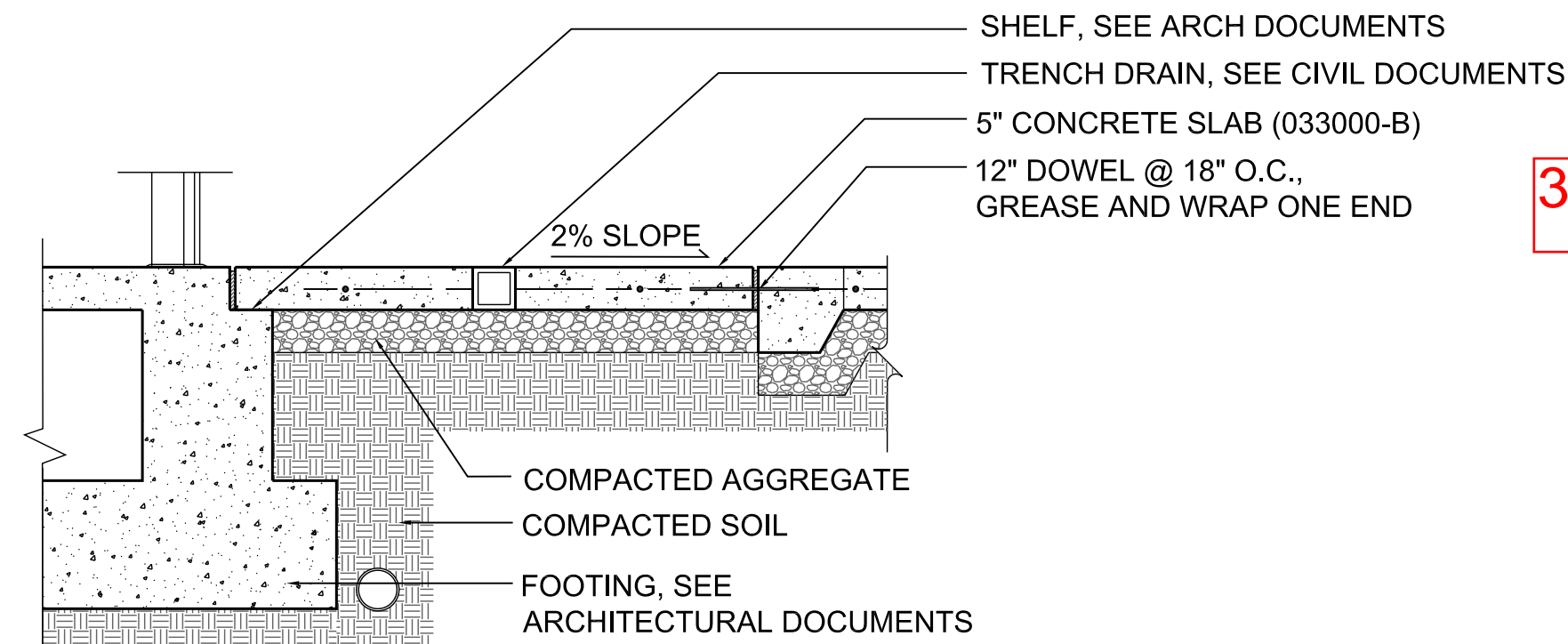
3 Concrete @ Porous Paving

Scale: 3/4" = 1'-0"



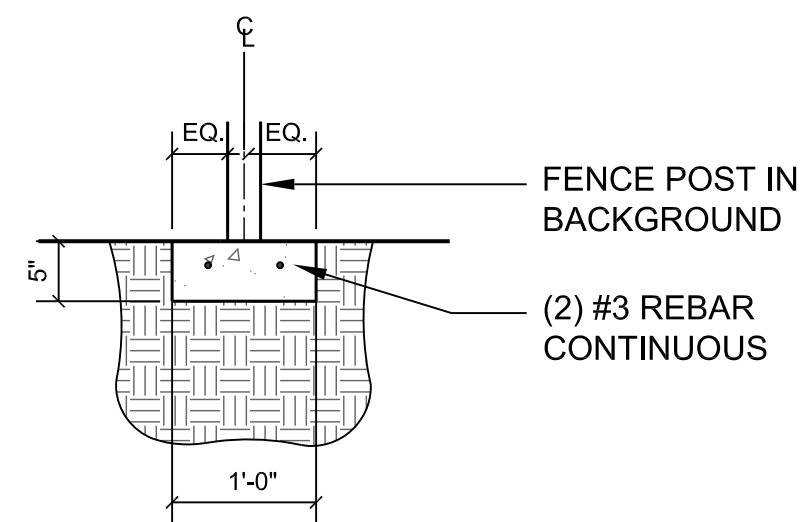
4 Concrete Paving @ Lobby

Scale: 3/4" = 1'-0"

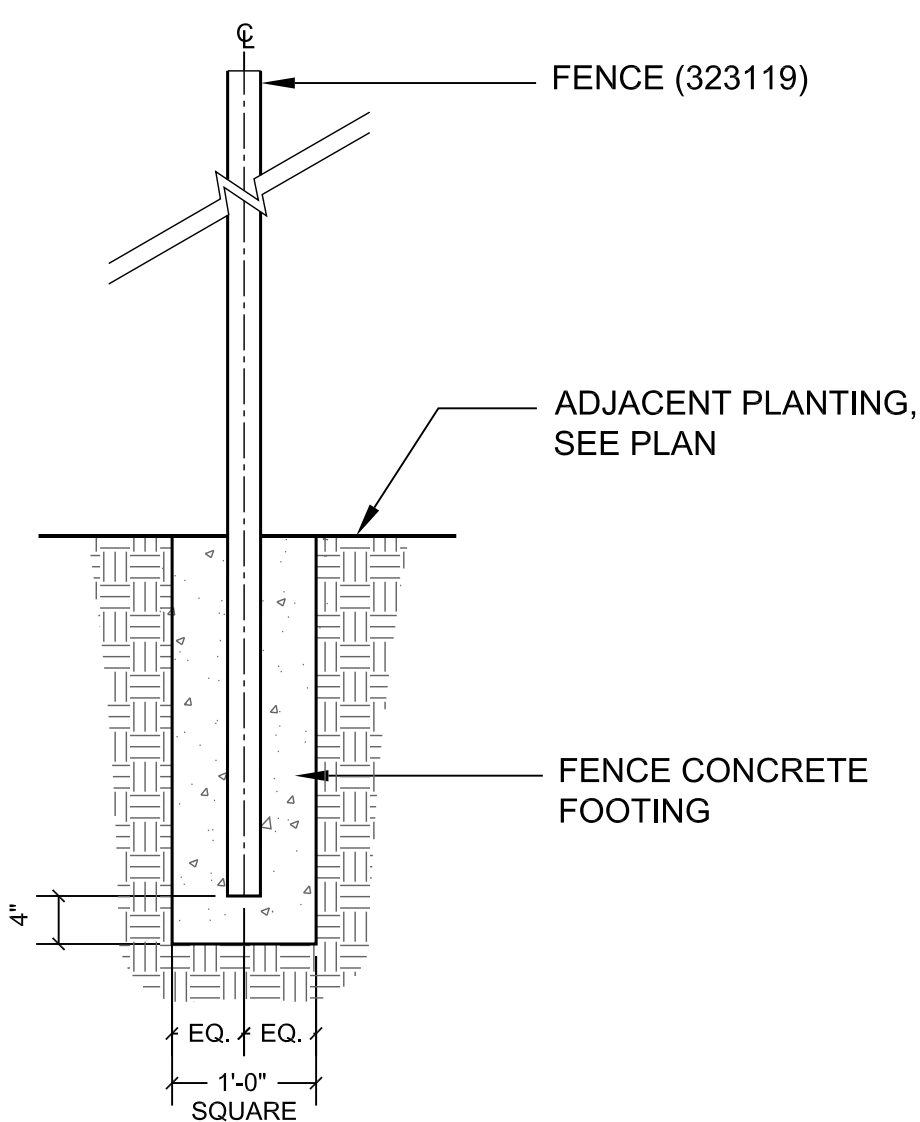


5 Concrete Paving @ Gym. Doors

Scale: 3/4" = 1'-0"



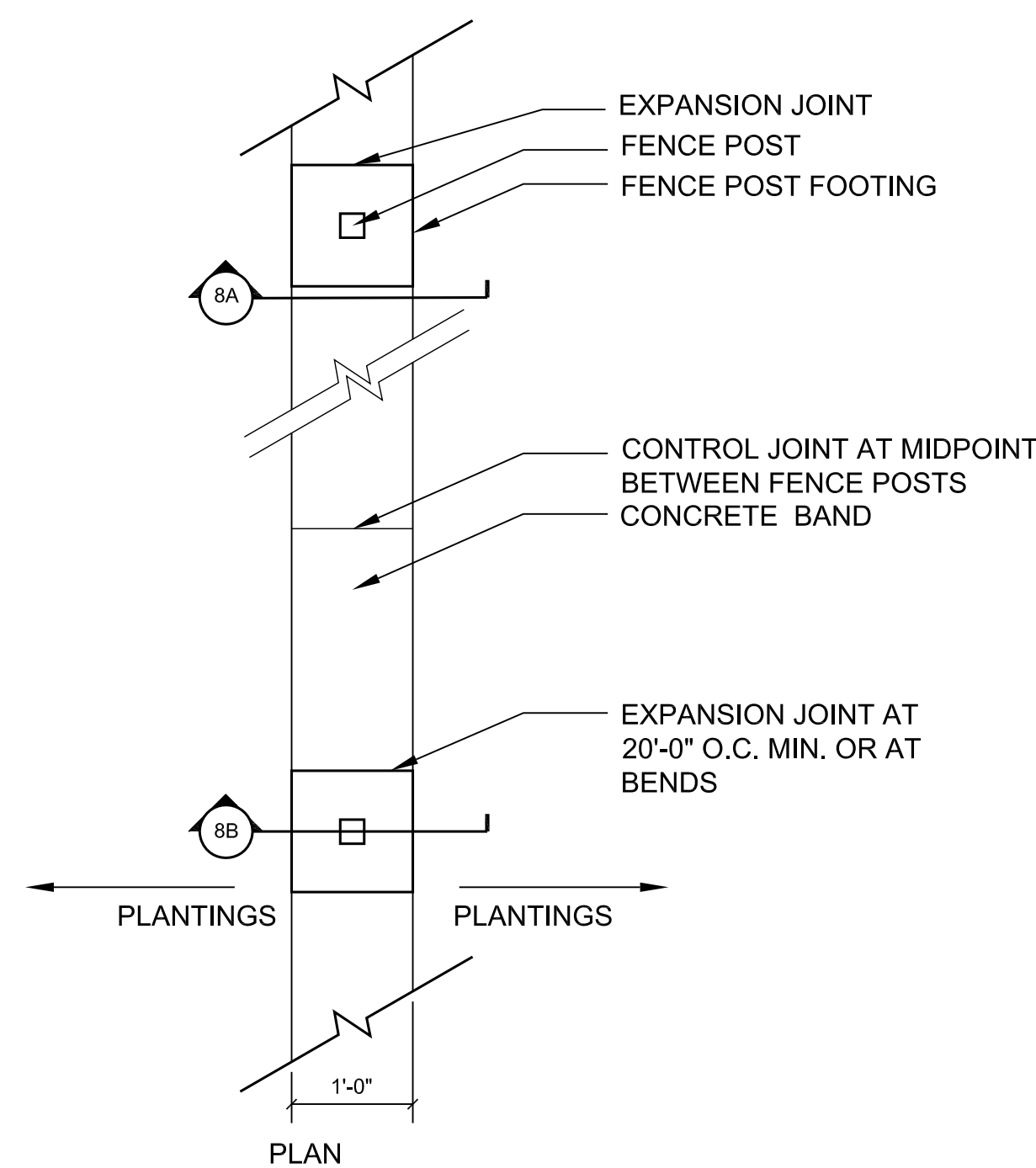
MOW STRIP SECTION A



FOOTING SECTION B

6 Mow Strip and Fence Footing

Scale: 3/4" = 1'-0"



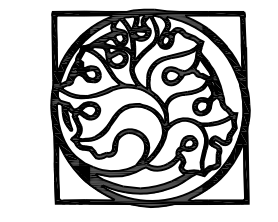
PLAN

KEY PLAN

KEYNOTES LISTED ON THIS SHEET ARE FOR CONVENIENCE ONLY. REFER TO SHEET CS.2 FOR COMPLETE LIST.

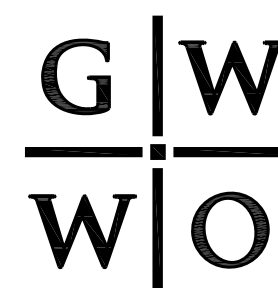
033000-B	CONCRETE SLAB ON GRADE (SEE STRUCTURAL FOR MORE INFORMATION)
033000-E	POROUS GRAVEL FILL (SEE STRUCTURAL FOR MORE INFORMATION)
076200-B	5" ROUND ALUMINUM DOWN SPOUT
076200-C	CONCRETE SPLASH BLOCK
321443	POROUS PAVING
323119	FENCE
329113-A	EXISTING SOIL WITH AMENDMENTS
329113-B	IMPORTED SOIL
329113-C	STRUCTURAL SOIL
329300-A	MULCH
329300-B	TREE STABILIZATION
329300-C	PLANTER DRAINAGE GRAVEL
329300-D	PLANTER FILTER FABRIC
329300-E	PLANTER RESTRAINING EDGE

95% CONSTRUCTION DOCUMENT SUBMISSION



MAHAN RYKIEL ASSOCIATES INC. Landscape Architecture Urban Design, Planning

GWWO, INC.



ARCHITECTS 800 WYMAN PARK DRIVE, SUITE 300 BALTIMORE, MARYLAND 21211, 410-332-1099

© 2012 GWWO INC.

I CERTIFY THAT THESE DOCUMENTS WERE PREPARED OR APPROVED BY ME, AND THAT I AM A DULY LICENSED ARCHITECT UNDER THE LAWS OF THE STATE OF MARYLAND. LICENSE NUMBER: 9995. EXPIRATION DATE: 6/30/12.

Revisions:

No.	Date	Description

Project Title
RITA CHURCH COMMUNITY CENTER GYMNASIUM
 BALTIMORE CITY DEPARTMENT OF RECREATION & PARKS
 CONTRACT NO. RP 11864

Job No.	1115	JW	Drawn
Scale	AS INDICATED	JTT	Checked
Date	APRIL 20, 2012	JTT	Approved
Drawing Title	Drawing Number		
HARDSCAPE DETAILS	L1.3		
Sheet	OF		