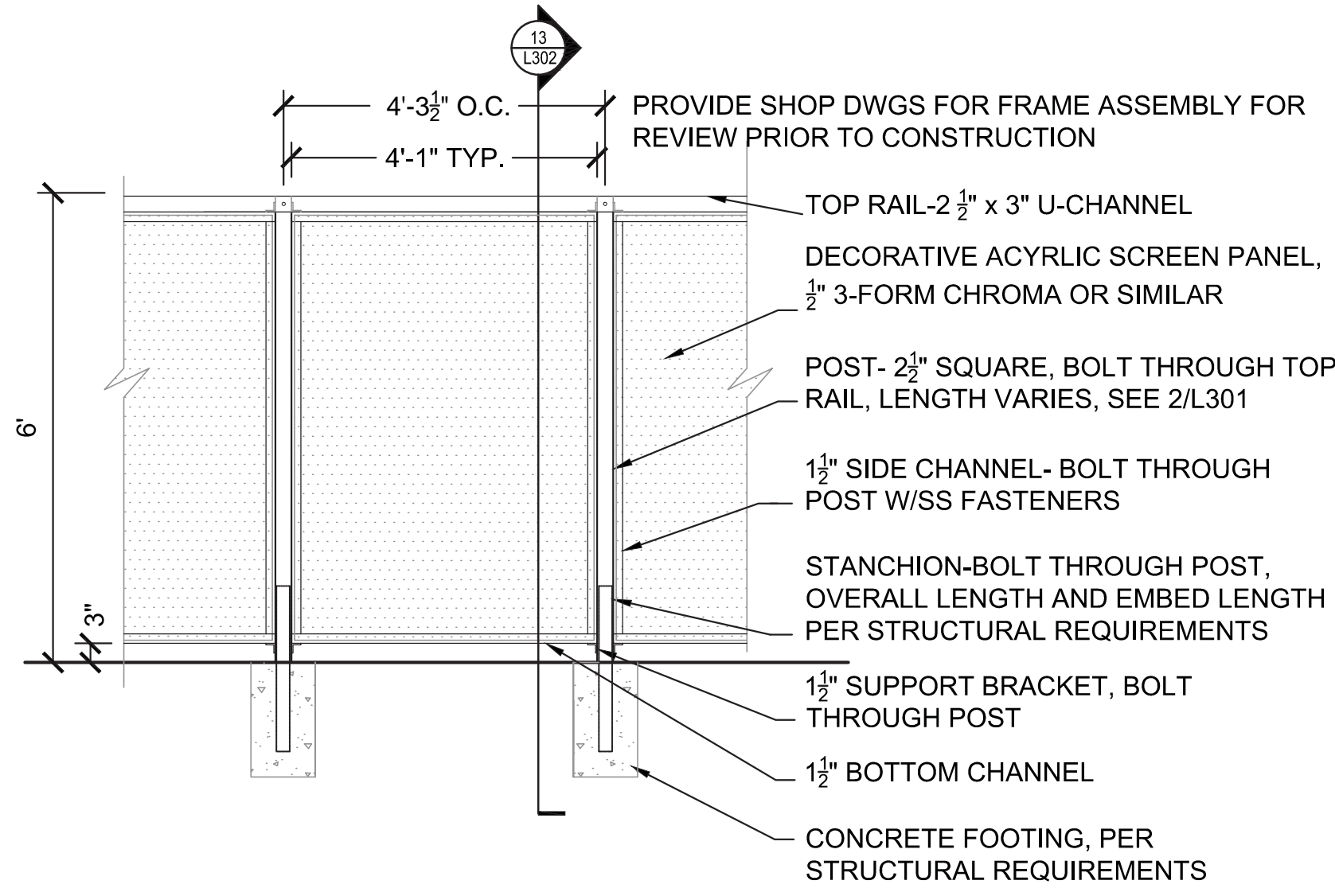
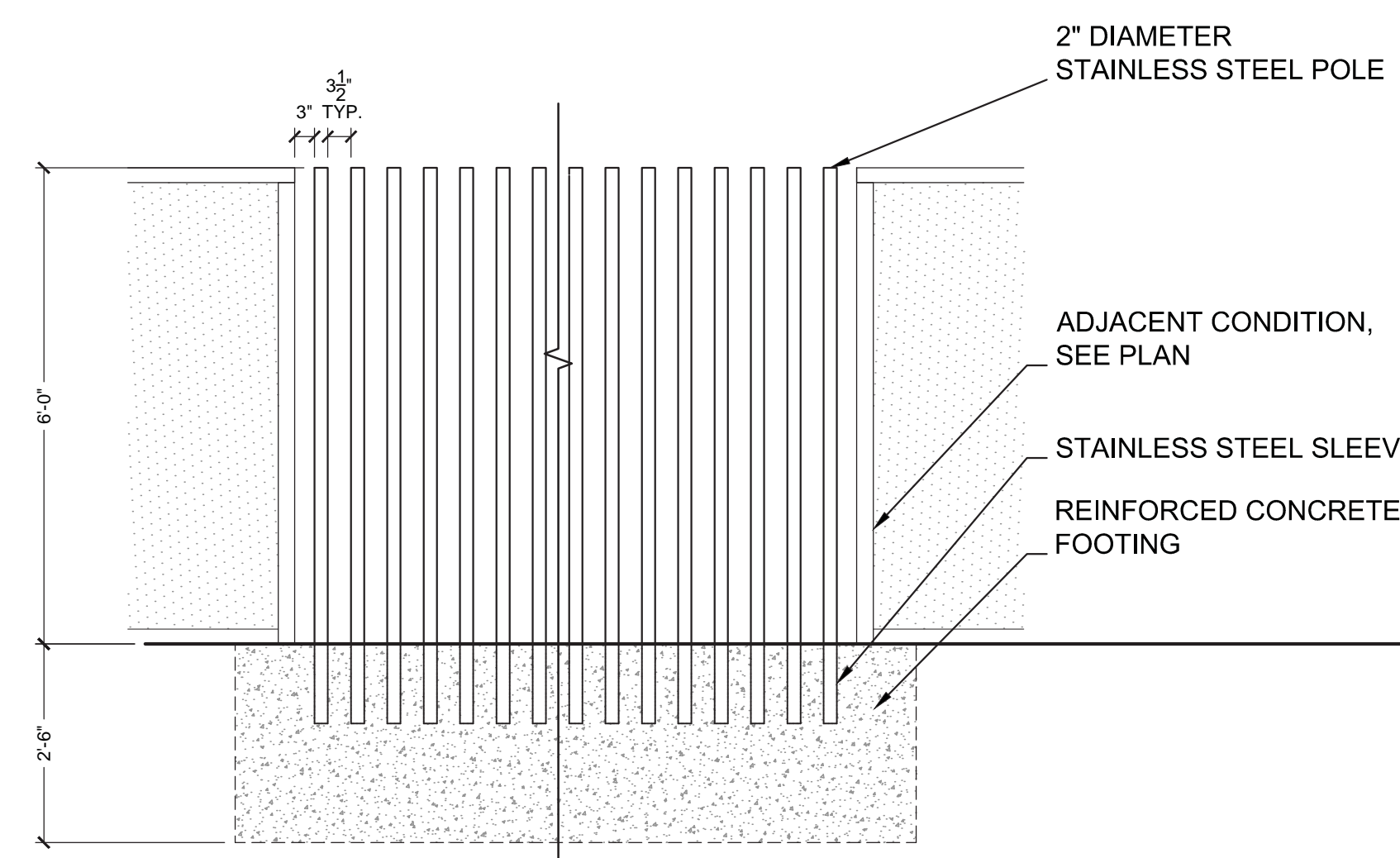


SCREEN PANEL
 MANUFACTURER: 3-FORM,
 www.3-form.com, 202.495.8286
 MODEL: CHROMA, 3/8" GAUGE
 COLOR AND TEXTURE: TBD
 SIZE: 4x8' PANELS, CUT TO SIZE

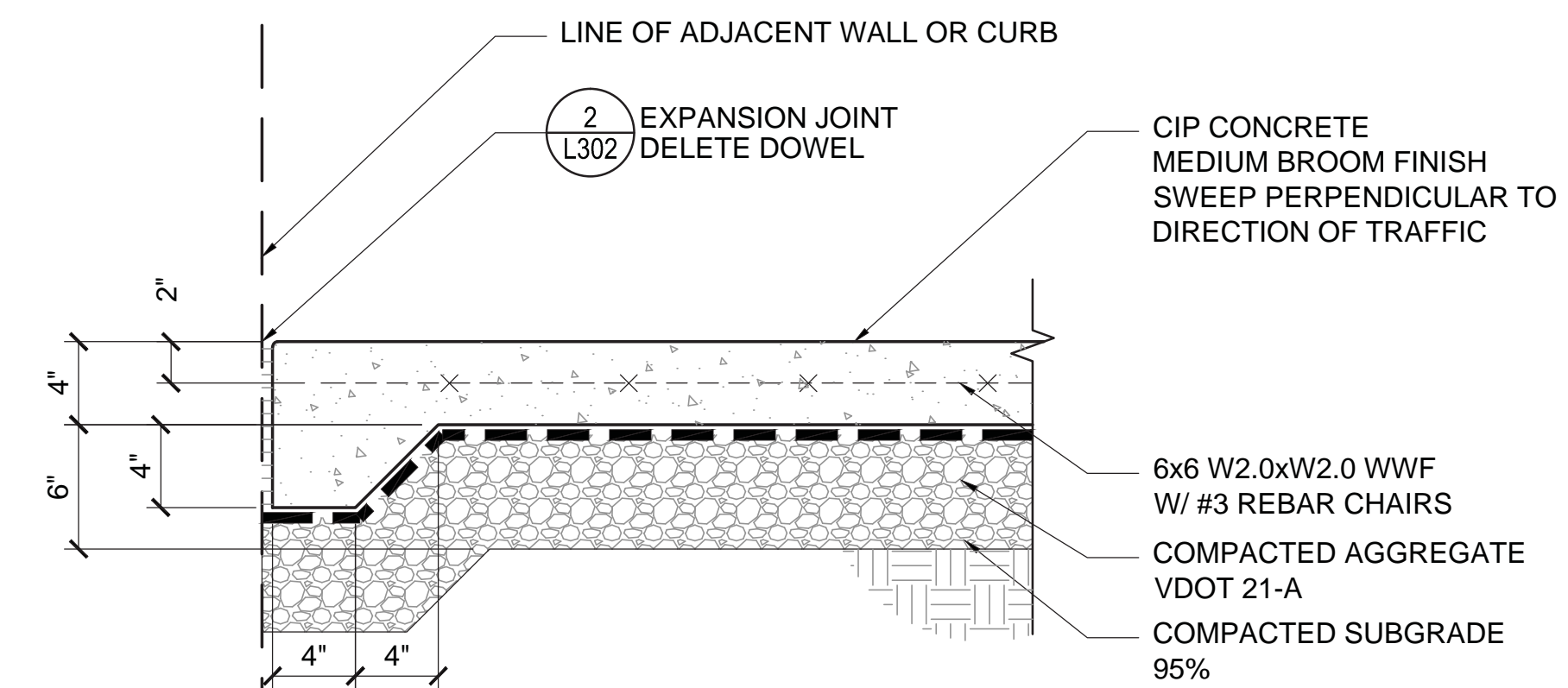
PANEL FRAME - CUSTOM
 MANUFACTURER: Conceptual
 Site Furnishings,
 www.conceptualsite.com;
 866.940.9830
 COLOR AND MATERIAL:
 - RAIL COMPONENTS:
 Powder-coated Aluminum,
 COLOR: Soft Gray (Submit
 Samples for Approval)
 - FASTENERS: All Hardware to
 be Stainless Steel



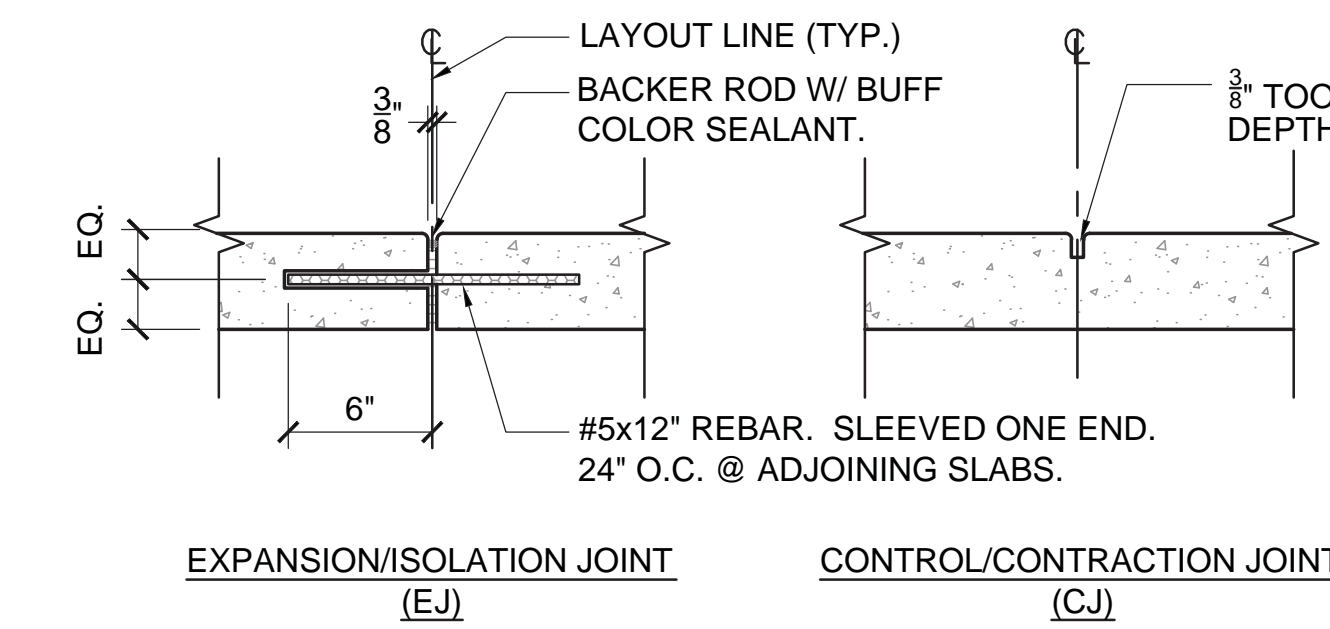
9 SCREEN FENCE - TYPE 2
 1/2" = 1'-0"



5 SCREEN FENCE - TYPE 1
 1/2" = 1'-0"

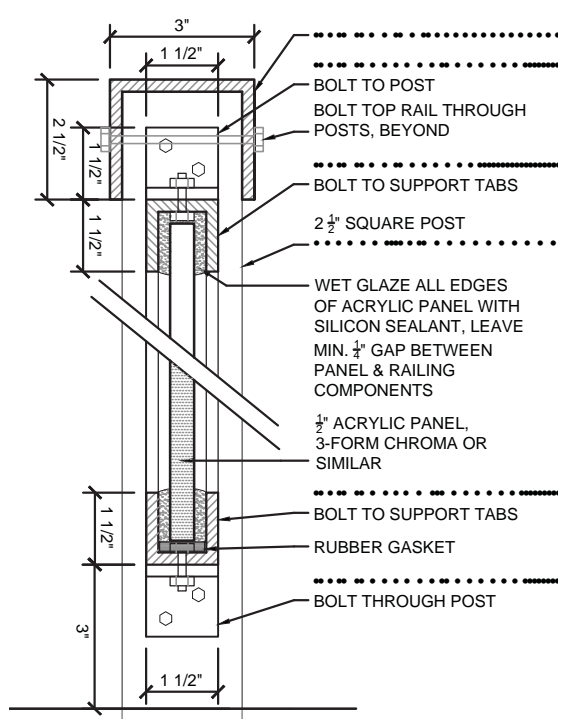


1 CONCRETE PAVING
 1 1/2" = 1'-0"

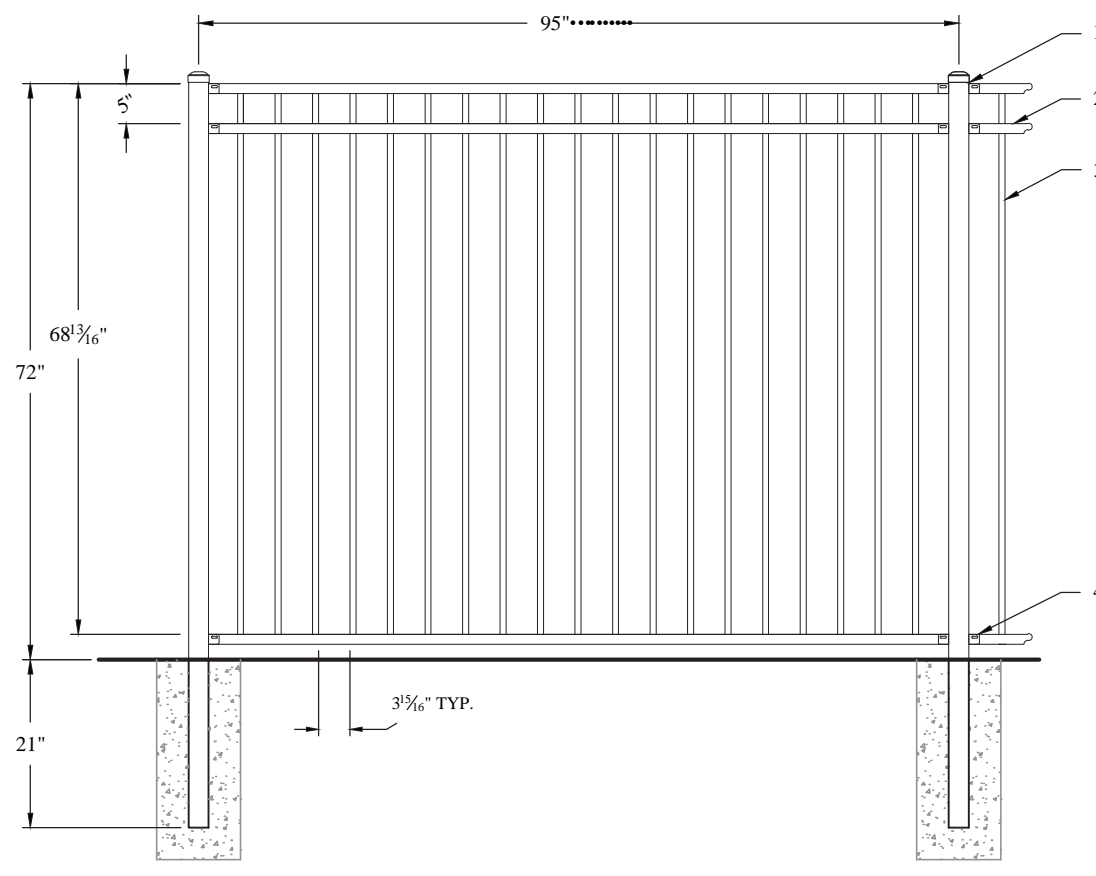


- NOTES:
 1. INSTALL CONTROL JOINTS AT EQUAL INTERVALS OF 5'-0" UNLESS OTHERWISE INDICATED.
 2. INSTALL EXPANSION JOINTS @ 20'-0" INTERVALS MAX., UNLESS OTHERWISE INDICATED, AND WHERE SLAB MEETS ANY ADJACENT STRUCTURE.
 3. TOOL ALL EXPOSED EDGES W/ 1/4" RADIUS.
 4. RECESS EXPANSION JOINTS 1/4" BELOW FINISH GRADE.
 5. SAWCUT JOINTS ARE PROHIBITED.

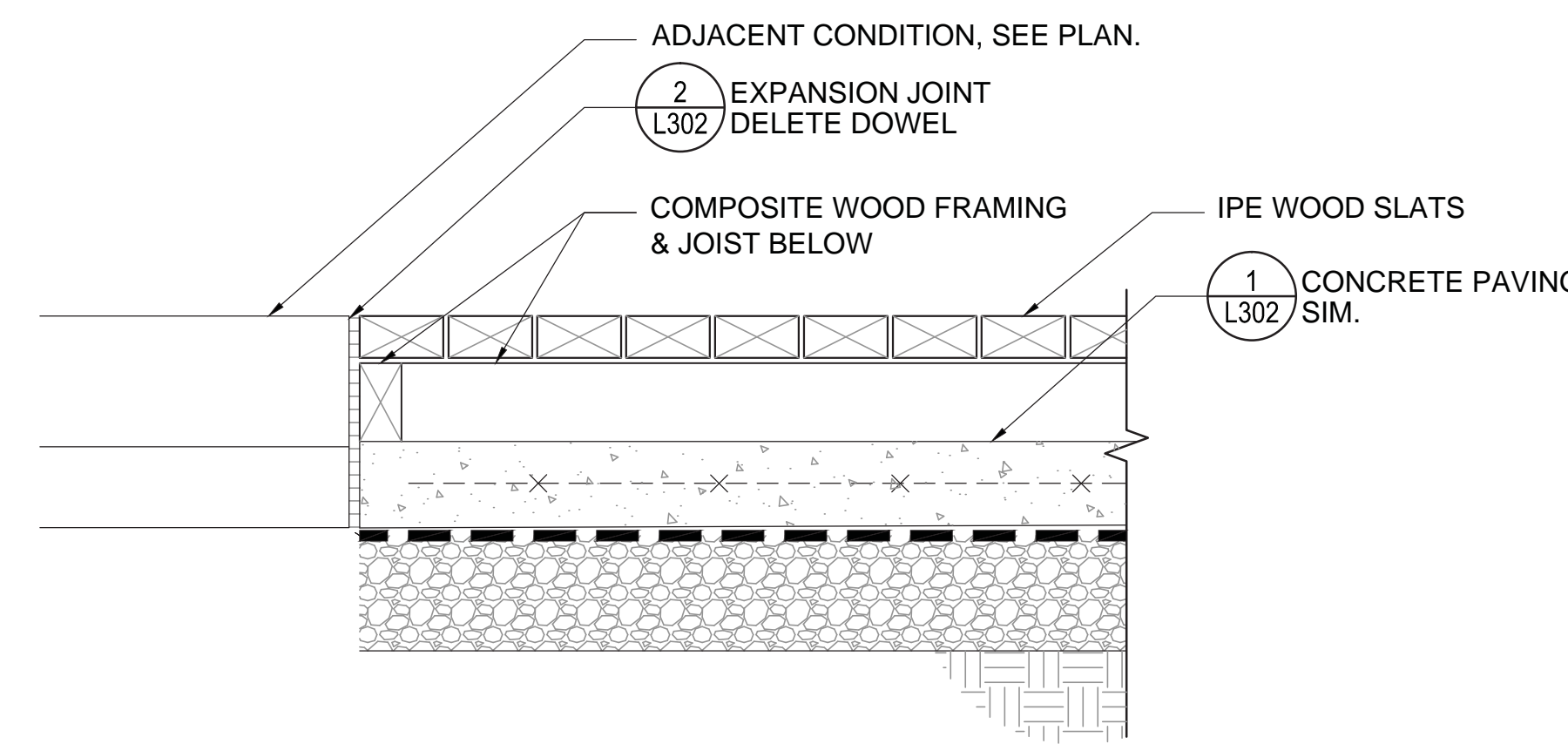
2 EXPANSION & CONTROL JOINTS
 1 1/2" = 1'-0"



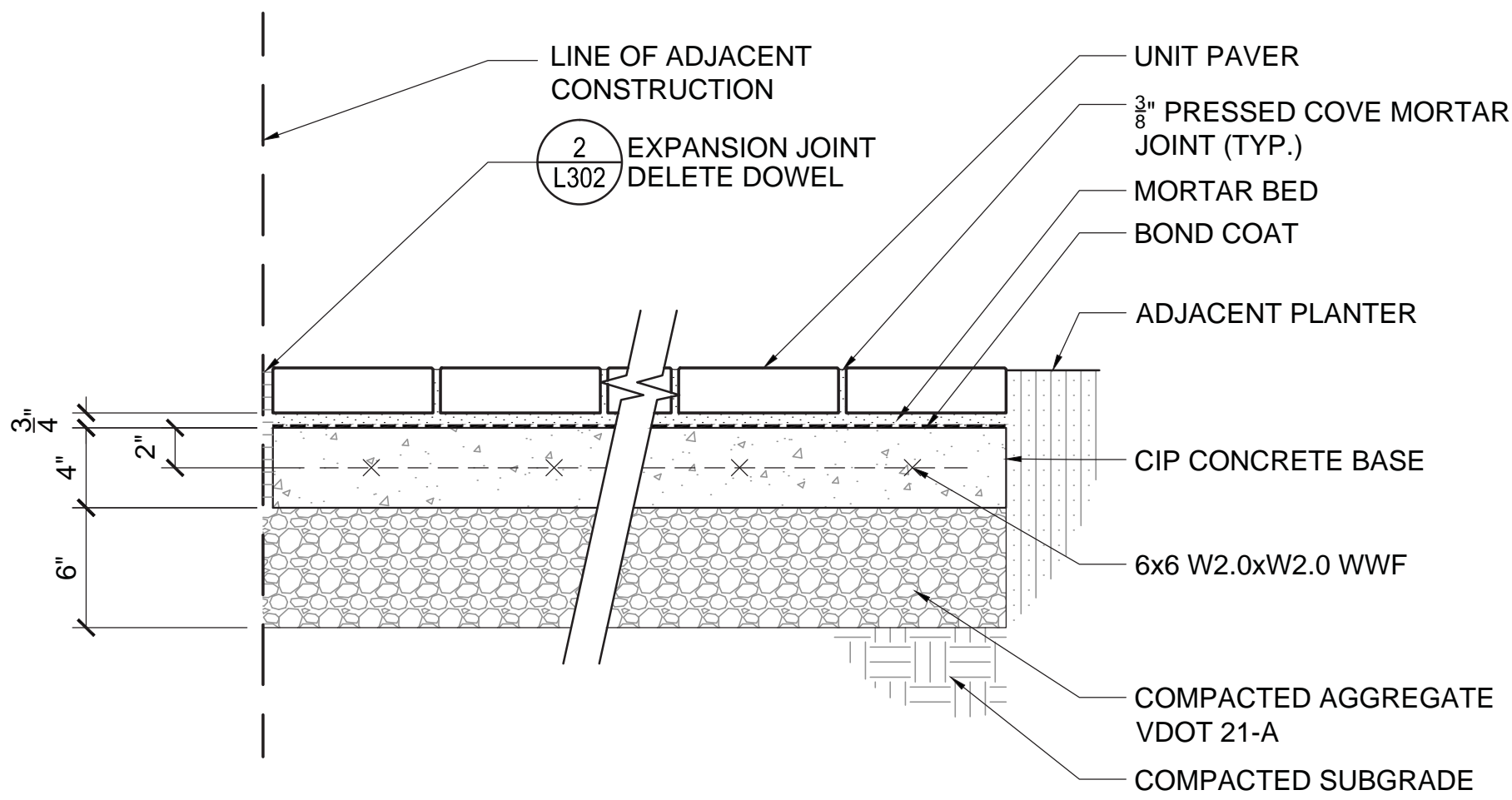
13 SCREEN PANEL SECTION
 3" = 1'-0"



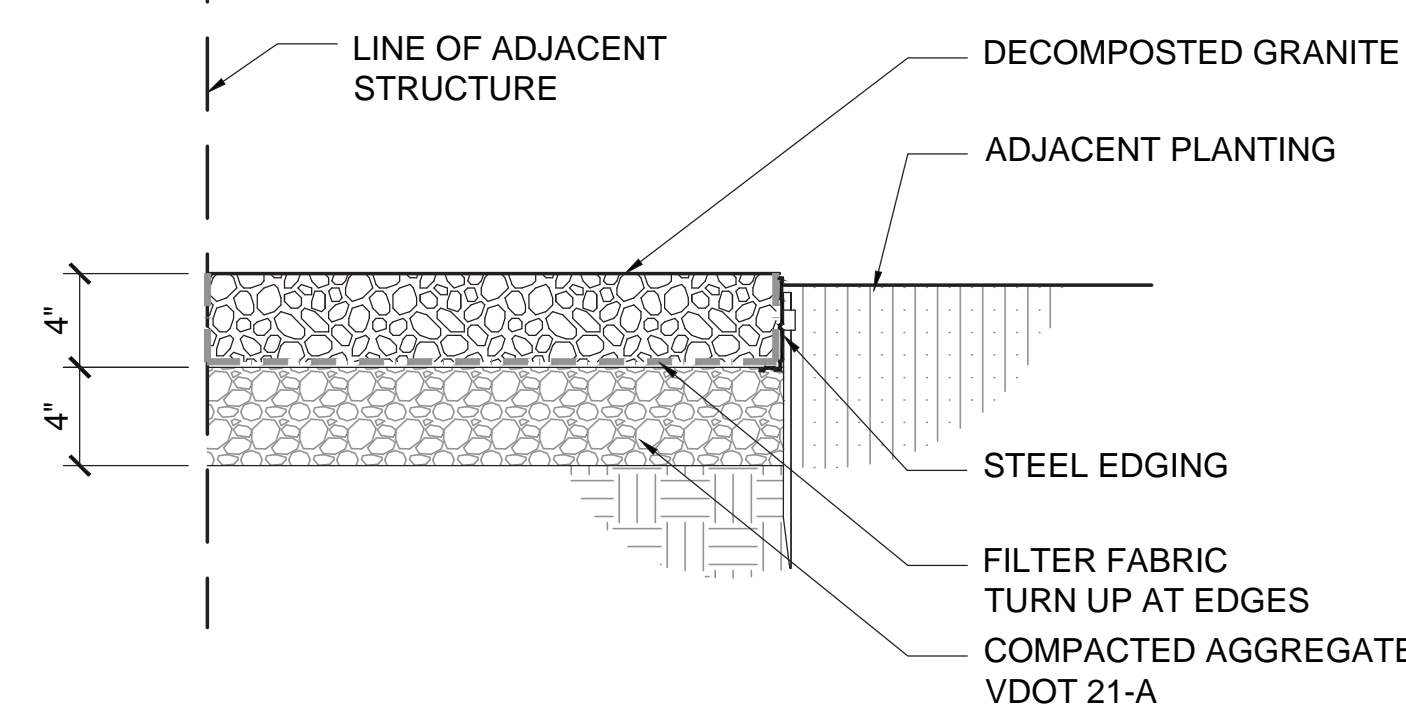
10 POOL FENCE
 1/2" = 1'-0"



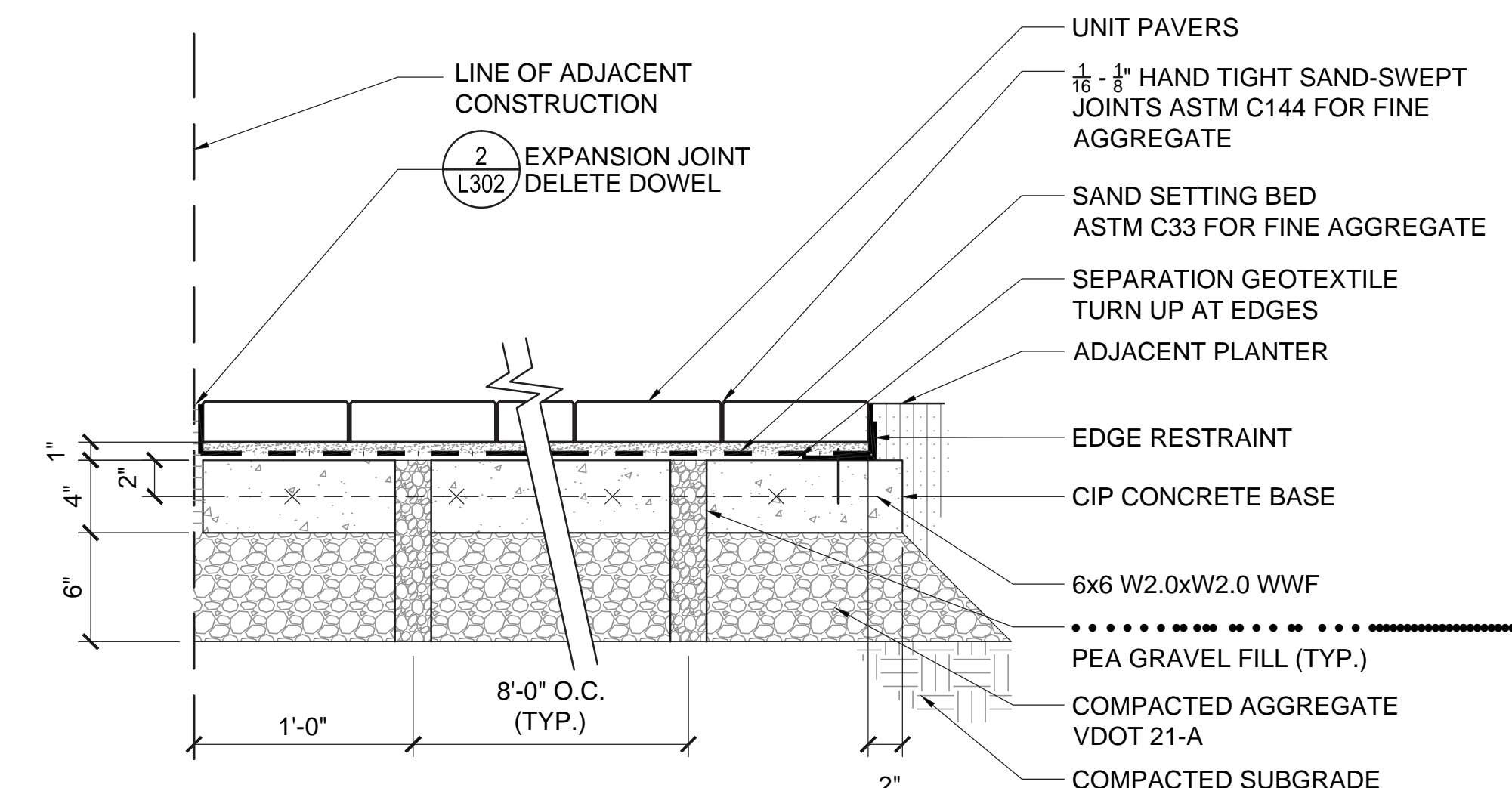
6 WOOD DECKING
 1 1/2" = 1'-0"



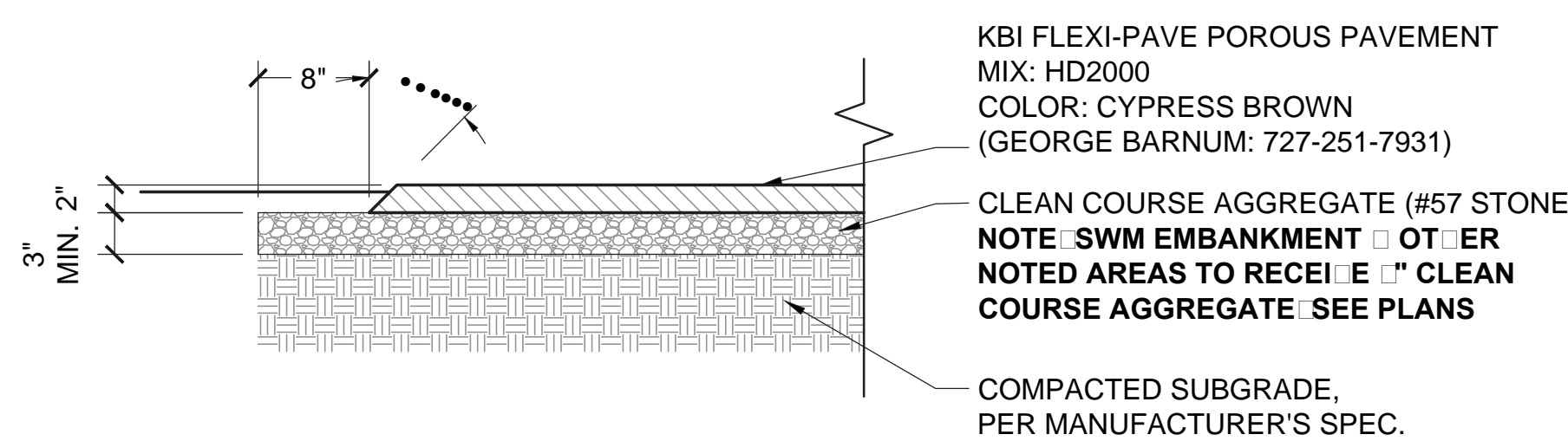
3 UNIT PAVING - ON MORTAR
 1 1/2" = 1'-0"



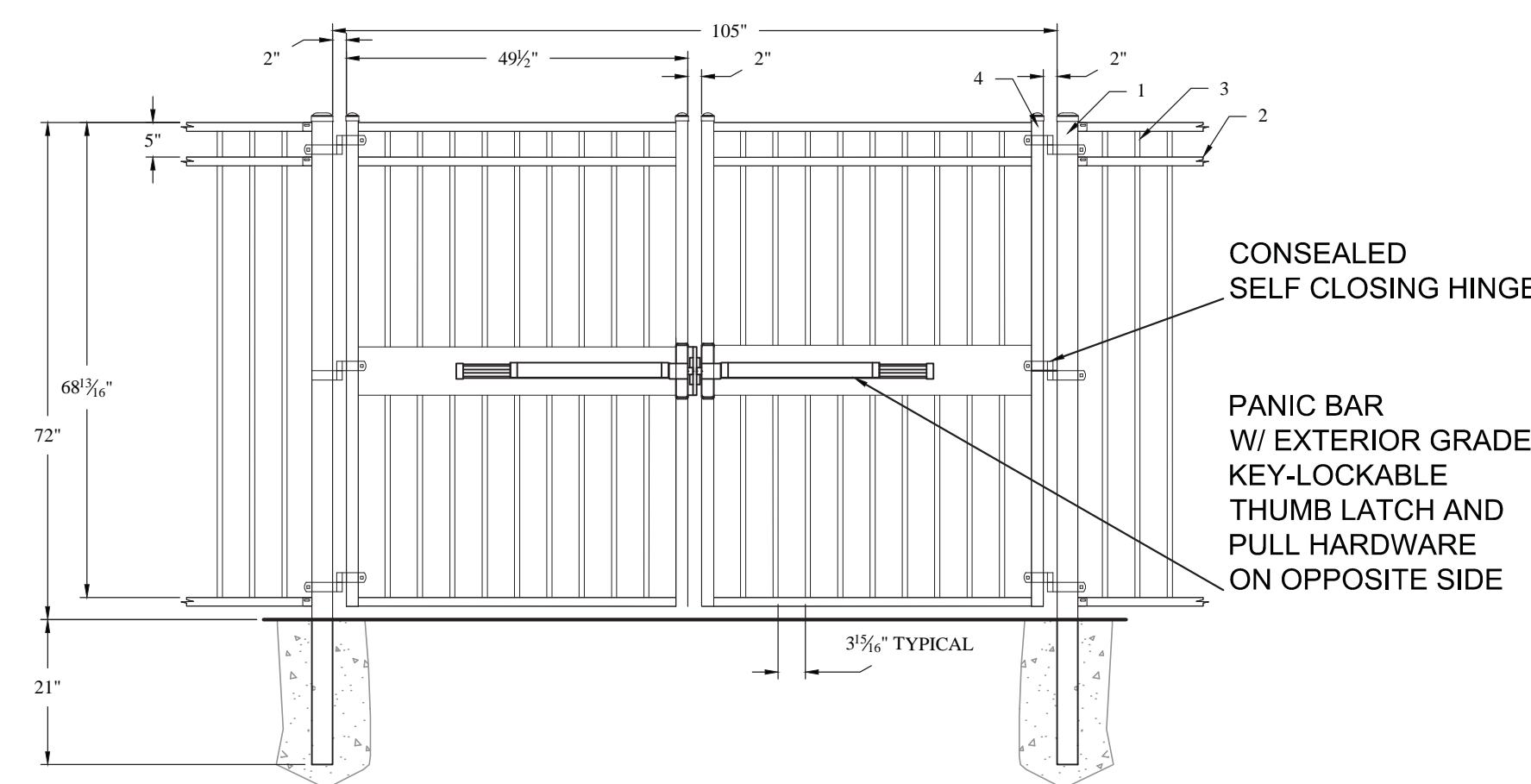
7 STONE MULCH
 1 1/2" = 1'-0"



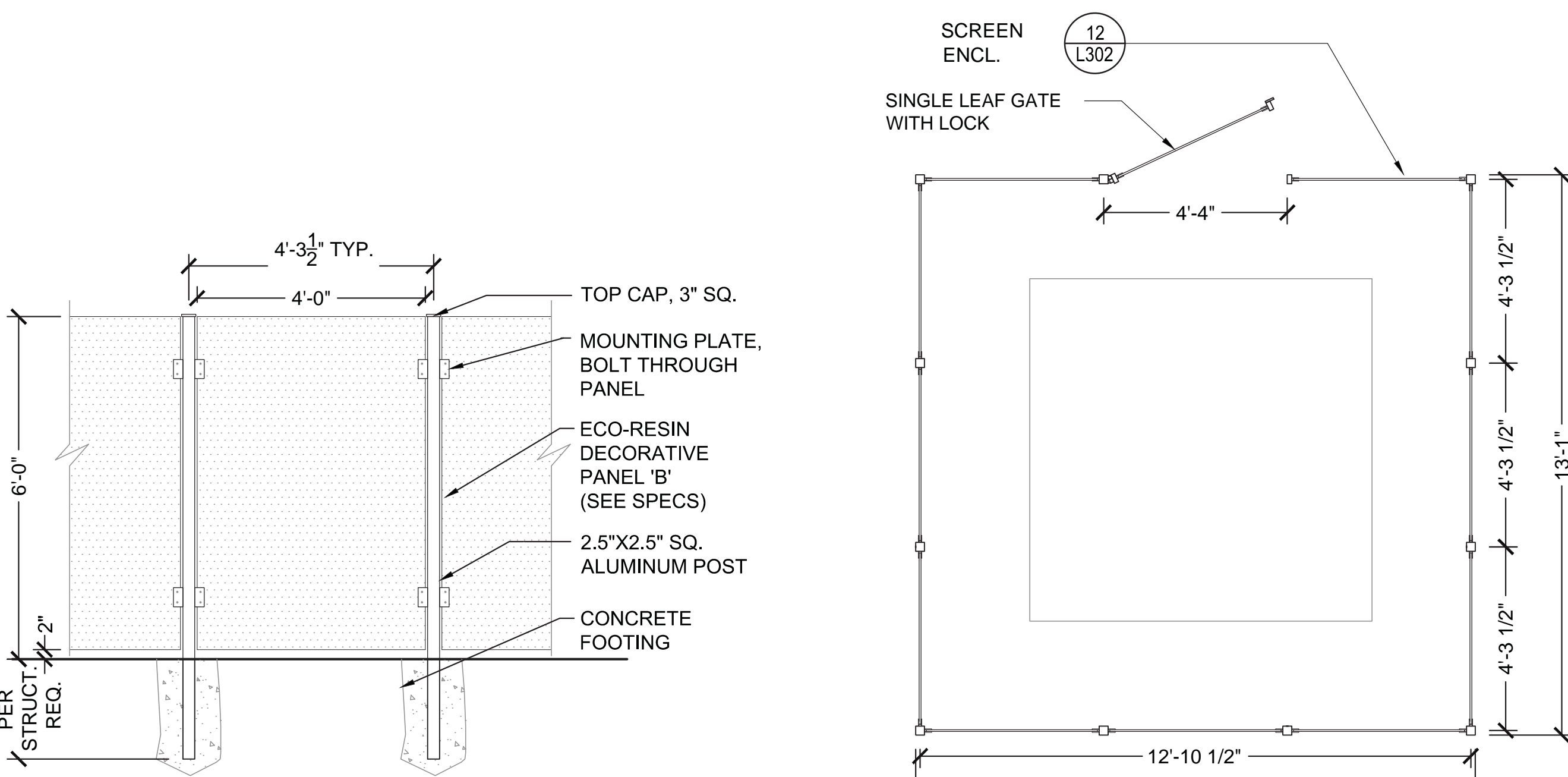
4 UNIT PAVING - ON SAND
 1 1/2" = 1'-0"



8 PERMEABLE PAVING
 1" = 1'-0"

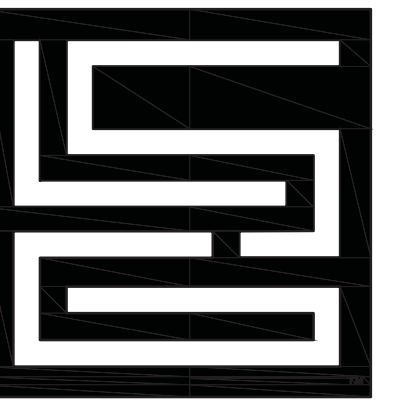


11 POOL GATE
 1/2" = 1'-0"



9 SCREEN ENCLOSURE
 3/8" = 1'-0"

12 SCREEN ENCLOSURE
 1/2" = 1'-0"



LSG LANDSCAPE
 ARCHITECTURE

1919 GALLOW ROAD, SUITE 110
 VIENNA, VIRGINIA 22182
 703-821-2045

MRP Residential
 2050 K Street, NW
 Washington, DC 20007
 202.330.4968
 John Begert

Huntington Metro
 Center

Apartments

Fairfax County, VA

REVISIONS

No.	Description	Date
2	50% CD	03.08.2013
1	25% CD	02.07.2013

HARDSCAPE
 DETAILS

Project Number: 12086.00
 Scale: AS SHOWN
 Drawn By: DHP
 Checked By: ML
 Date: 02.05.2013

Sheet No. L302