



ARCHITECTS
22630 DAVIS DRIVE, SUITE
175 STERLING, VIRGINIA
20164 703-437-6600

**BARKER RINKER SEACAT
ARCHITECTURE**

**LSG LANDSCAPE
ARCHITECTURE**
1919 GALLOWAY ROAD, SUITE 110
VIENNA, VIRGINIA 22182
703-437-9265

**HARGREAVES
ASSOCIATES**

118 MAGAZINE STREET
CAMBRIDGE, MA 02139
617 661 0070 T
617 661 0064 F
HARGREAVES.COM

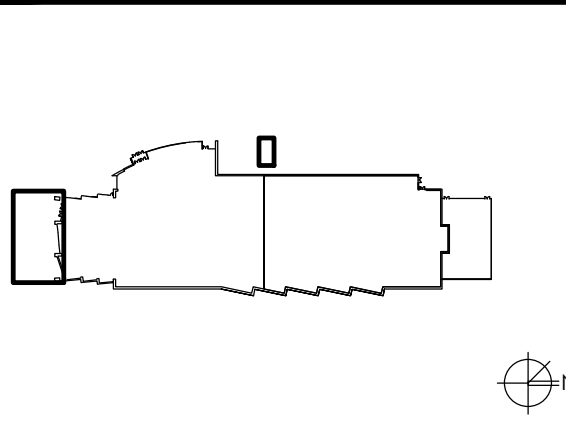
**LONG BRIDGE AQUATIC HEALTH
AND FITNESS FACILITY**

PROJECT LOCATION: ARLINGTON, VIRGINIA
OWNER: ARLINGTON COUNTY DEPARTMENT OF PARKS AND RECREATION
ADDRESS: 333 LONG BRIDGE PARK DRIVE
ARLINGTON, VA 22202

PROJECT / OWNER



SEAL



KEY PLAN

04.02.2013 ISSUE FOR PERMIT
07.22.2013 PERMIT RESUBMISSION
08.22.2013 ISSUE FOR BID
11.12.2013 AMENDMENT #1

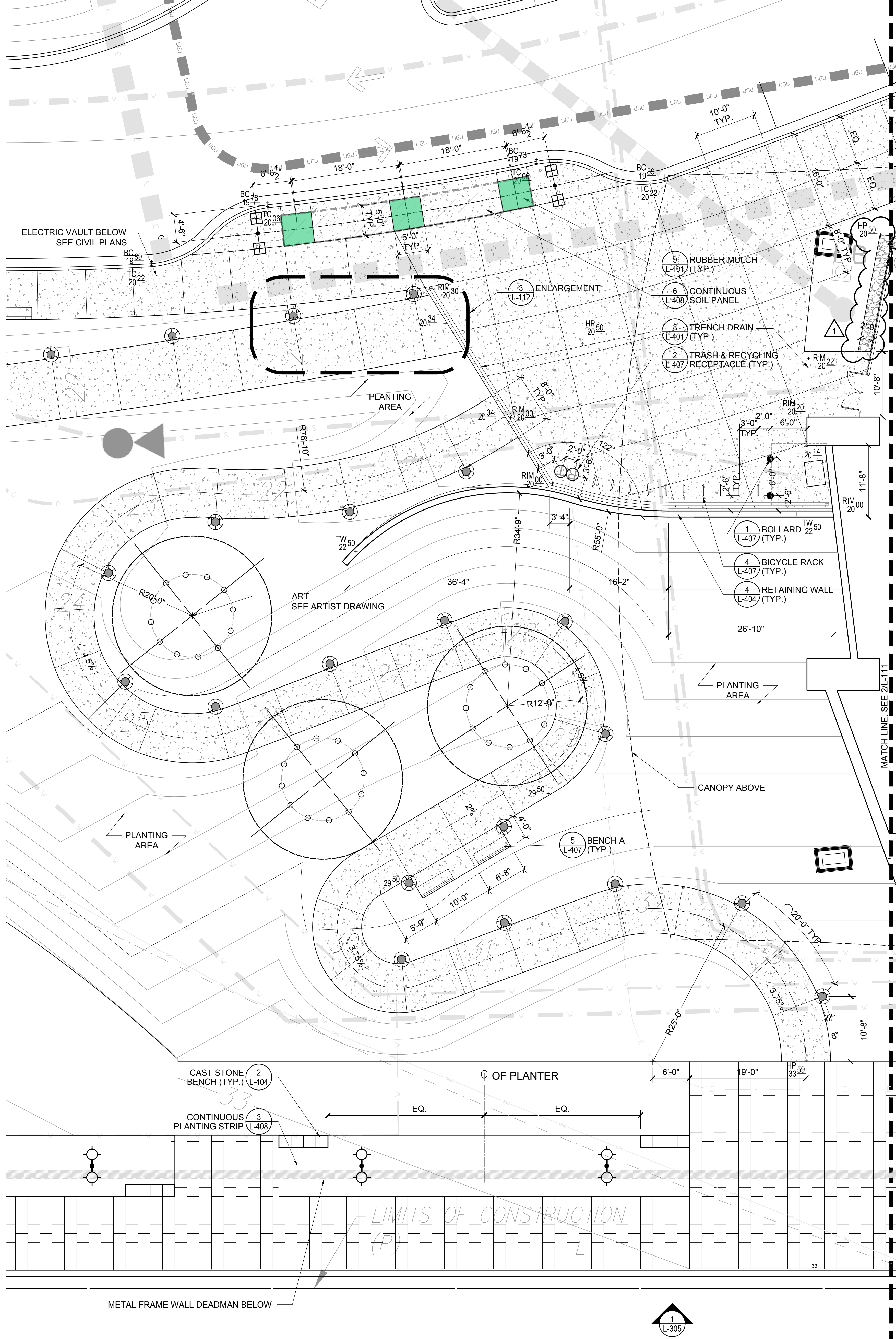
MARK	DATE	ISSUE
WH, BAJ		DRAWN BY:
MG, BAJ		CHECKED BY:
0913; LSG 25023.03		PROJECT NO.:

Copyright © 2013
by LSG Landscape Architecture

**ENLARGEMENT
PLAN**

1/8"=1'-0"

L-112



LEGEND

PAVING MATERIALS

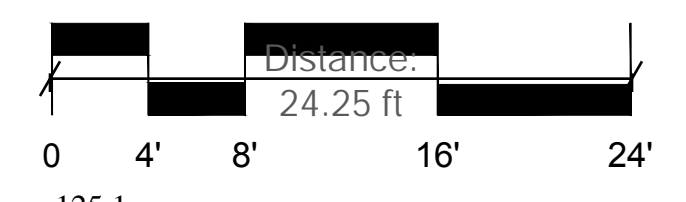
- 1 CONCRETE PAVING PEDESTRIAN (L-401)
- 2 AGGREGATE PAVING TYPE A1 (L-401)
- 2 AGGREGATE PAVING TYPE A2 (L-401)
- 3 UNIT PAVING TYPE UP.1 (L-401)
- 3 UNIT PAVING TYPE UP.2 (L-401)
- 4 UNIT PAVING TYPE UP.2 (L-401)

NOTES:
1. SEE 7/L-409 FOR PRODUCT SCHEDULE

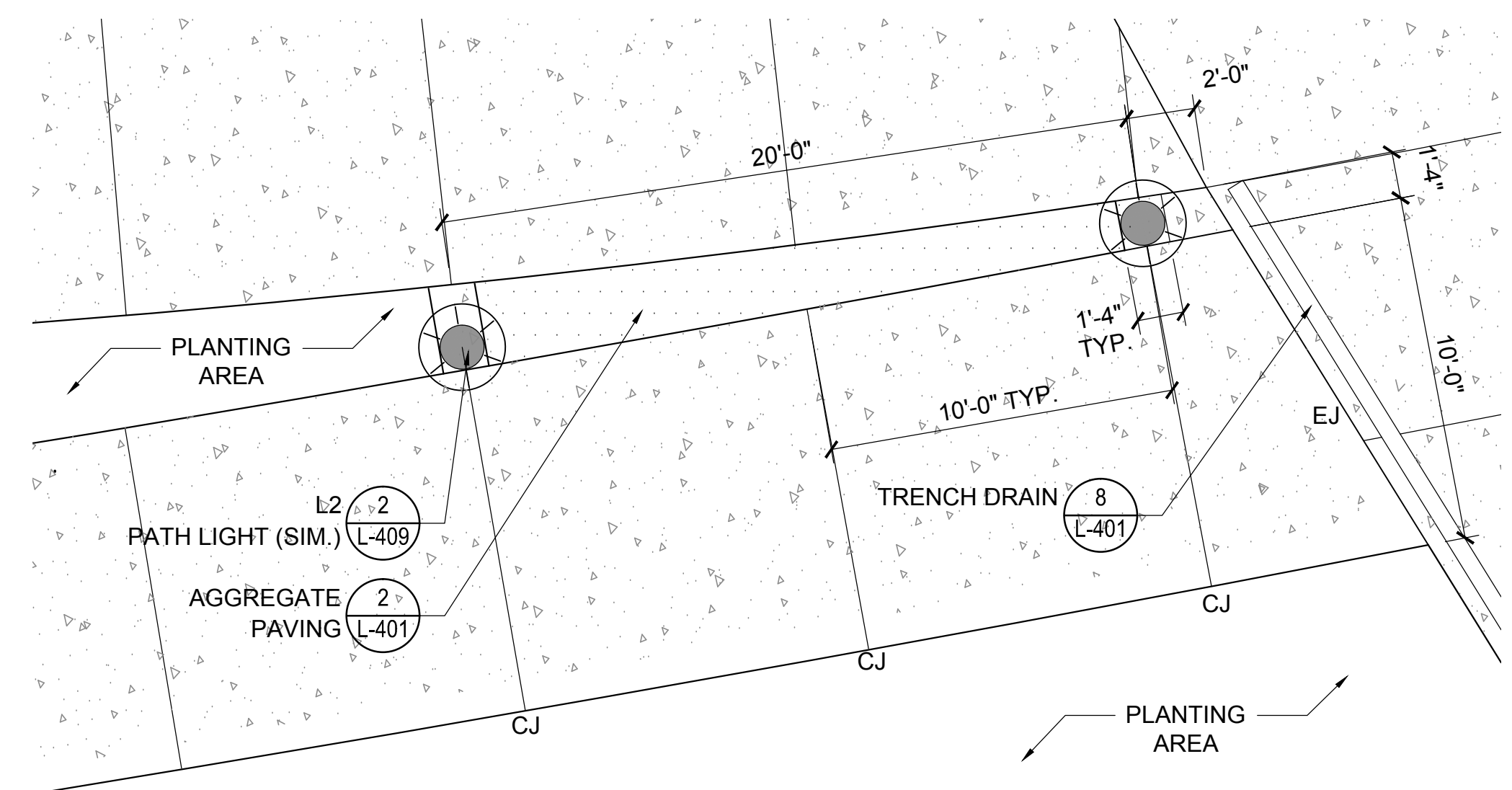
SIGHT LIGHTING

- 1 L1 ESPLANADE POLE LIGHT (L-409)
- 1 L1A PATH POLE LIGHT (L-409)
- 2 L2 PATH LIGHT (L-409)
- 1 L3 DRIVEWAY POLE LIGHT (L-409)
- 1 L4 / L4A POLE LIGHT (L-409)
- 1 L4B PARKING LOT POLE LIGHT (L-409)
- 3 L6 TREE UPLIGHT (L-409)
- 4 L9 PLAZA POLE LIGHT (L-409)
- 5,6 L10, L10A SIGN WALL UPLIGHT (L-409)
- SCULPTURE UPLIGHT REFER TO ARTIST AND ELECTRICAL DRAWINGS

NOTES:
1. SITE LIGHTING DETAILS ARE FOR MOUNTING CONDITION.
2. SEE ELECTRICAL PLANS FOR COMPLETE LISTING OF FIXTURES AND WIRING REQUIREMENTS.
3. LANDSCAPE ARCHITECTURAL PLANS ARE FOR LIGHT LOCATIONS ONLY.



2 ENLARGEMENT
1/4"=1'-0"



3 ENLARGEMENT
1/4"=1'-0"



1 ENLARGEMENT
1/8"=1'-0"